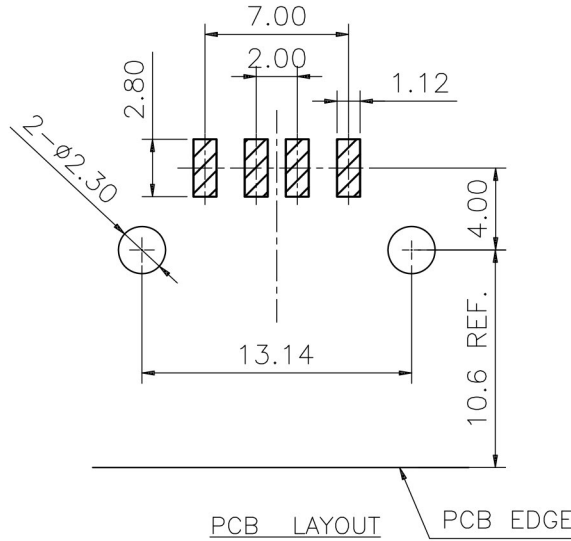
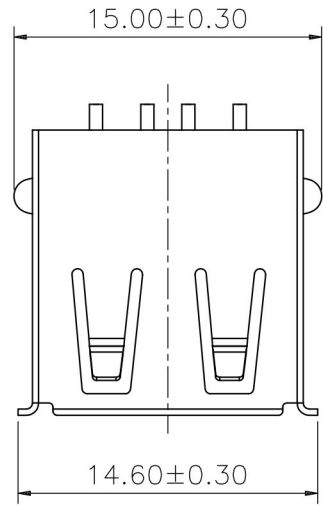


PROPRIETARY INFORMATION
COMPANY CONFIDENTIAL

REV	ECN. NO.	DESCRIPTION	ENG	DATE
A		INITIAL	Knight	02/04/15'



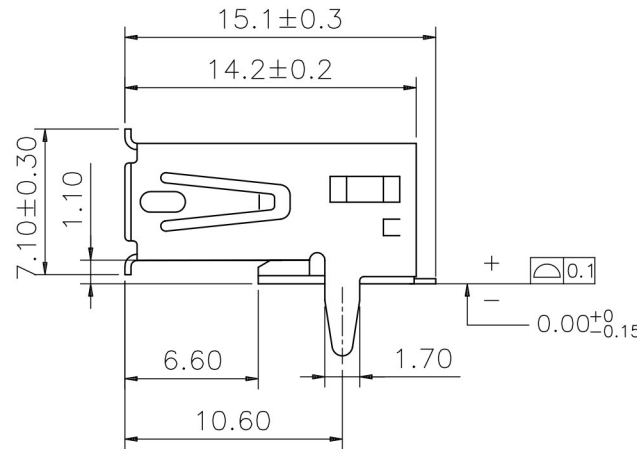
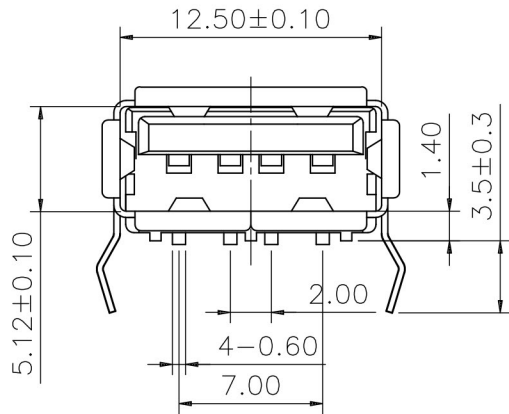
NOTES:

1. CURRENT RATING: 1.5A
2. DIELECTRIC WITHSTANDING VOLTAGE: 500V AC MAX
3. INSULATION RESISTANCE: 1000MΩ MIN
4. CONTACT RESISTANCE: 30mΩ MAX
5. INSERTION FORCE: 3.5kgf MAX
6. EXTRACTION FORCE: 1.0kgf MIN
7. RoHS COMPLIANCE

ORDER INFORMATION

USAR-80 04 - F K 1 3 T
① ② ③ ④ ⑤ ⑥ ⑦

1. TYPE:
USAR-80:USB A TYPE SMT
2. POSITIONS:
04:04 POSITIONS
3. INSULATOR MATERIAL:
F: PA9T
4. INSULATOR COLOR:
K: BLACK
5. CONTACT PLATING:
1: GOLD FLASH
6. SHIELD PLATING:
3: NICKEL PLATING
7. PACKING
T: TRAY



GENERAL TOLERANCE X ± 0.50 .X ± 0.38 .XX ± 0.25 .XXX ± 0.15	ANGLE TOLERANCE X° ± 5.0° .X° ± 3.0° .XX° ± 2.0° .XXX° ± 1.0°	DRAWN <i>hgnic</i>	DATE 02/04/15'	
MATL SEE BOM	FINISH SEE NOTES	CHECKED	DATE	
SCALE N/A	UNIT mm	APPROVED <i>River</i>	DATE 02/04/15'	PART NUMBER USAR-8004-FK13T
SHEET 1 OF 1				DRAWING NO. GT26-210359
				SIZE A4
				REV. A

ITEM	NAME	Q'TY	DESCRIPTION	NOTE
3	SHELL	1	SPCC, NICKEL 80u" MIN PLATING OVERALL	
2	CONTACT	4	BRASS, GOLD FLASH PLATING ON CONTACT AREA, TIN 100u" MIN PLATING SOLDER AREA, NICKEL 50u" MIN UNDER PLATING OVERALL	
1	HOUSING	1	PA9T	BLACK, UL94 V-0