

PROPRIETARY INFORMATION
COMPANY CONFIDENTIAL

REV	ECN. NO.	DESCRIPTION	ENG	DATE
A		INITIAL	Knight	01/26/15'

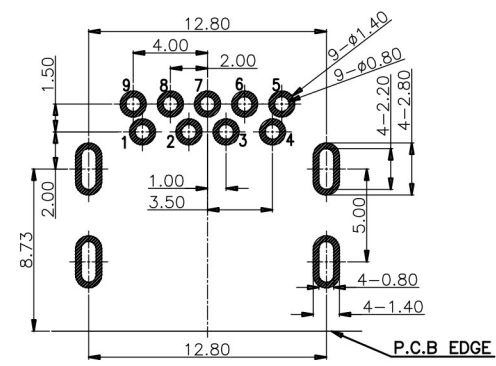
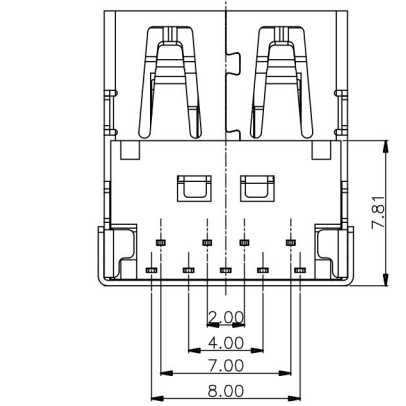
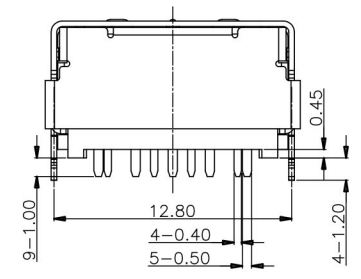
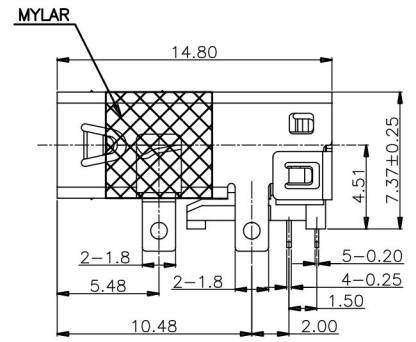
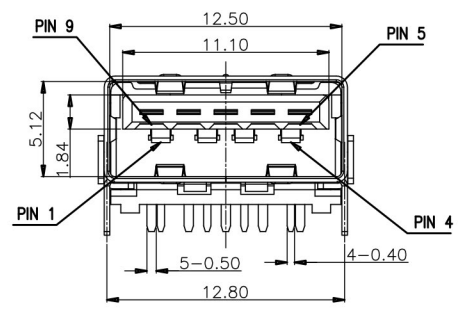
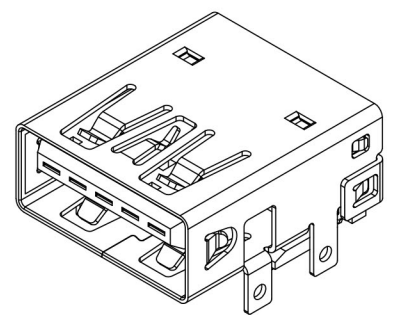
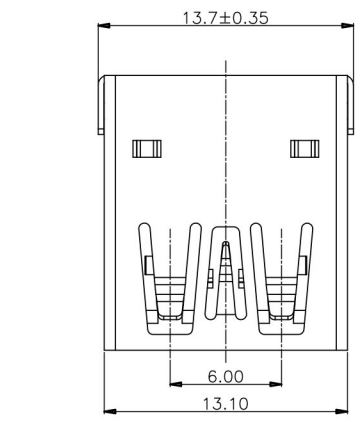
NOTES:

1. CURRENT RATING: 1.5 Amp
2. DIELECTRIC WITHSTANDING VOLTAGE: 500V AC MAX
3. INSULATION RESISTANCE: 1000MΩ MIN.
4. CONTACT RESISTANCE: 30mΩ MAX.
5. INSERTION FORCE : 3.5 KGF MAX
6. WITHDRAWAL FORCE : 1.0 KGF MIN
7. DURABILITY: 5000 CYCLES
8. RoHS COMPLIANCE

ORDER INFORMATION

USAR-6U 09 - B K 1 3 T
 ① ② ③④⑤⑥⑦

1. TYPE:
USAR-6U:USB 3.0 A TYPE CH=4.5mm
2. POSITIONS:
09: 09 POSITIONS
3. INSULATOR MATERIAL:
B: LCP
4. INSULATOR COLOR:
K: BLACK
5. CONTACT PLATING:
1: GOLD FLASH
6. SHIELD PLATING:
3: NICKEL PLATING
7. PACKING
T: TRAY



RECOMMENDED P.C.B LAYOUT COMPONENT SIDE
P.C.B THICKNESS=1.20mm TOLERANCE=±0.03

Pin #	SIGNAL NAME	DESCRIPTION	MATING SEQUENCE
1	VBUS	POWER	SECOND
2	D-	USB2.0 DIFFERENTIAL PAIR	THIRD
3	D+		
4	GND	GROUND FOR POWER RETURN	SECOND
5	StdA_SSR-	SUPERSPEED RECEIVER DIFFERENTIAL PAIR	LAST
6	StdA_SSR+		
7	GND_DRAIN	GROUND FOR SIGNAL RETURN	LAST
8	StdA_SSTX-	SUPERSPEED TRANSMITTER DIFFERENTIAL PAIR	
9	StdA_SSTX+		
Shell	Shield	CONNECTOR METAL SHELL	FRIST

ITEM	NAME	Q'TY	DESCRIPTION	NOTE
5	SHELL	1	SUS, NICKEL 80u" MIN PLATING OVERALL	
4	BACK SHELL	1	SPCC, NICKEL 80u" MIN PLATING	
3	CONTACT 5PIN	5	BRASS,GOLD FLASH PLATING ON CONTACT AREA,TIN 80u" MIN PLATING SOLDER AREA,NICKEL 40u" MIN UNDER PLATING OVERALL	
2	CONTACT 4PIN	4	PHOSPHOR BRONZE,GOLD FLASH PLATING ON CONTACT AREA,TIN 100u" MIN PLATING SOLDER AREA,NICKEL 50u" MIN UNDER PLATING OVERALL	
1	HOUSING	1	LCP+30%G.F	BLACK, UL94 V-0

GENERAL TOLERANCE X±0.50 .X±0.38 .XX±0.25 .XXX±0.15	ANGLE TOLERANCE X°±5.0° .X°±3.0° .XX°±2.0° .XXX°±1.0°	DRAWN DATE <i>knighe</i> 01/26/15'	 TITLE: USB 3.0 A TYPE CH=4.5mm PART NUMBER: USAR-6U09-BK13T DRAWING NO. GT26-210319 SIZE A4 REV. A
MATL SEE BOM	FINISH SEE NOTES	CHECKED DATE	
SCALE N/A	UNIT mm	APPROVED DATE <i>River</i> 01/26/15'	
SHEET 1 OF 1			