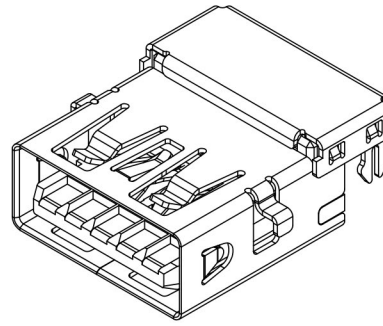
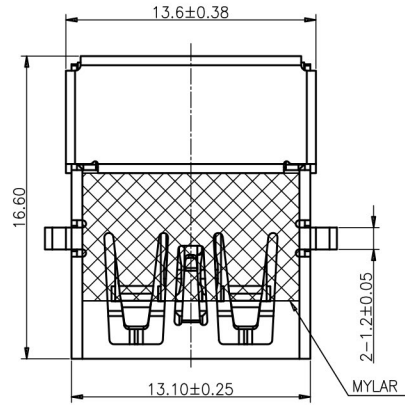


PROPRIETARY INFORMATION
COMPANY CONFIDENTIAL

REV.	ECN. NO.	DESCRIPTION	ENG	DATE
A		INITIAL	Knight	01/27/15'



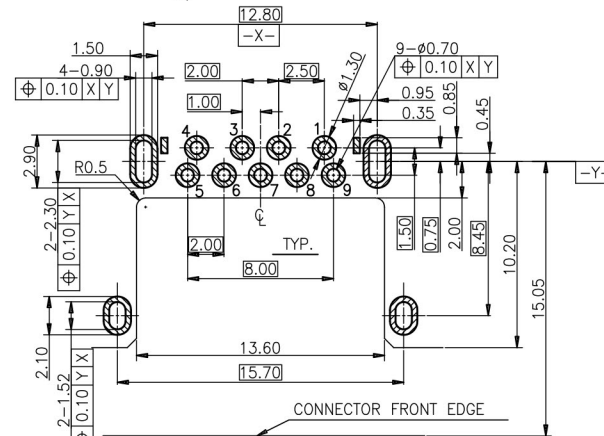
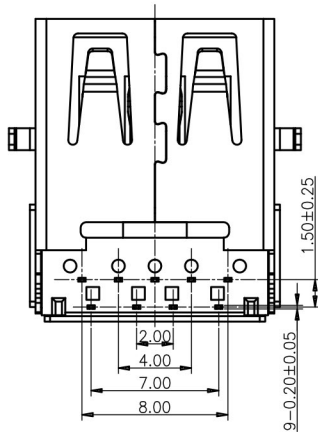
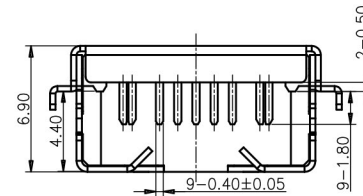
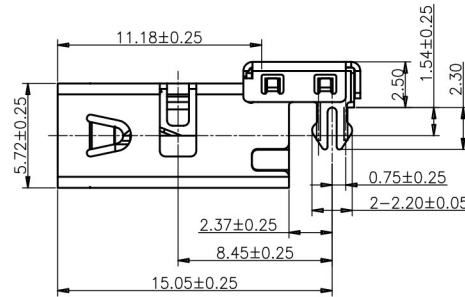
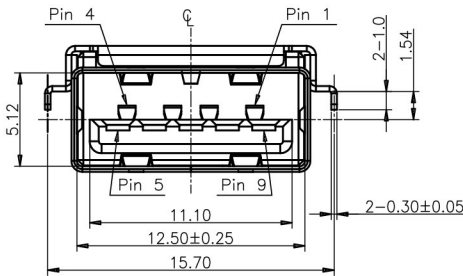
NOTES:

- CURRENT RATING: 1.5A
- DIELECTRIC WITHSTANDING VOLTAGE: 500V AC MAX
- INSULATION RESISTANCE: 1000MΩ MIN.
- CONTACT RESISTANCE: 30mΩ MAX.
- INSERTION FORCE : 3.5 KGF MAX
- WITHDRAWAL FORCE : 1.0 KGF MIN
- DURABILITY: 5000 CYCLEX
- RoHS COMPLIANCE

ORDER INFORMATION

USAR-6R 09 - F K 1 3 T
① ② ③④⑤⑥⑦

- TYPE: USAR-6R:USB 3.0 CH=1.54
- POSITIONS: 09: 09 POSITIONS
- INSULATOR MATERIAL: F: PA9T
- INSULATOR COLOR: K: BLACK
- CONTACT PLATING: 1: GOLD FLASH
- SHIELD PLATING: 3: NICKEL PLATING
- PACKING: T: TRAY



RECOMMENDED P.C.B LAYOUT (COMPONENT SIDE)
P.C.B THICKNESS=1.20mm (TOLERANCE=±0.03)

PIN NO	1	2	3	4	
SIGNAL NAME	VBUS	D-	D+	GND	
REMARK	USB2.0 CONTACT PIN				
PIN NO	5	6	7	8	9
SIGNAL NAME	SSRX-	SSRX+	GND	SSTX-	SSTX+
REMARK	USB3.0 CONTACT PIN				

GENERAL TOLERANCE X±0.50 .X±0.38 .XX±0.25 .XXX±0.15	ANGLE TOLERANCE X°±5.0° .X°±3.0° .XX°±2.0° .XXX°±1.0°	DRAWN <i>knighe</i>	DATE 01/27/15'	 TITLE: USB 3.0, CH=1.54
MATL SEE BOM	FINISH SEE NOTES	CHECKED	DATE	
SCALE N/A	UNIT mm	APPROVED <i>River</i>	DATE 01/27/15'	DRAWING NO. GT26-210316
SHEET 1 OF 1				SIZE A4 REV. A

ITEM	NAME	Q'TY	DESCRIPTION
3	SHELL	1	SUS, NICKEL 80u" MIN PLATING OVERALL
2	CONTACT	9	PHOSPHOR BRONZE, GOLD FLASH PLATING ON CONTACT AREA, TIN 100u" MIN PLATING SOLDER AREA, NICKEL 50u" MIN UNDER PLATING OVERALL
1	HOUSING	1	PA9T

BLACK, UL94 V-0
NOTE