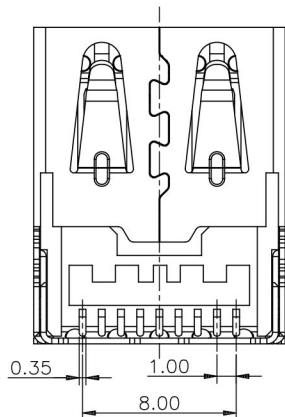
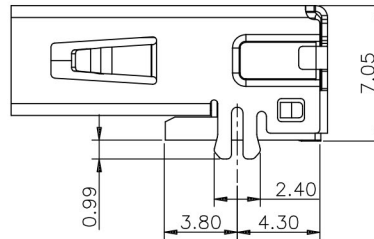
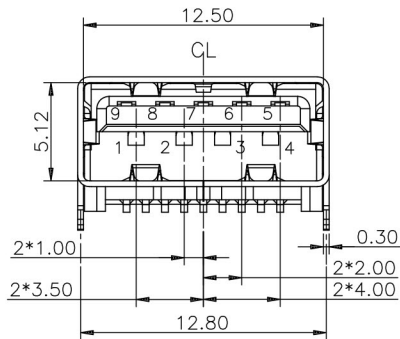
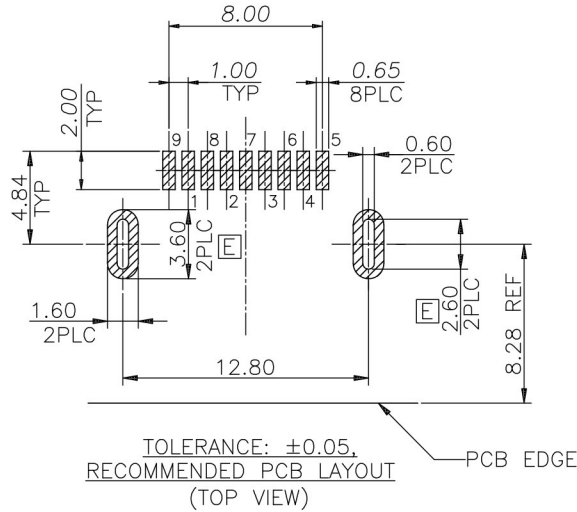
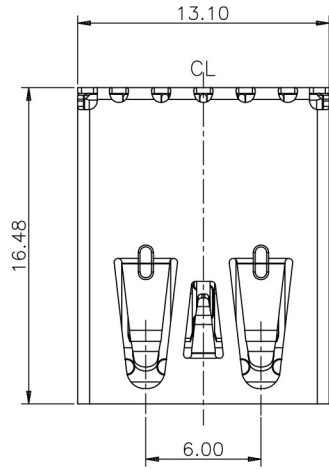


PROPRIETARY INFORMATION
COMPANY CONFIDENTIAL



REV.	ECN. NO.	DESCRIPTION	ENG	DATE
A		INITIAL	Knight	11/11/14'
B		UPDATE DRAWING	Knight	01/05/15'
C		ADD PLATING 30u" OPTIONS	Knight	03/24/15'
D		ADD PACKING TAPE&REEL	Knight	04/08/15'
E		MODIFY PCB LAYOUT DIMENSION	Knight	07/21/15'

ORDER INFORMATION

USAR-6H 09 - B B X 3 X
① ② ③ ④ ⑤ ⑥ ⑦

- TYPE:
USAR-6H:USB 3.0 A TYPE CONNECTOR
- POSITIONS:
09: 09 POSITIONS
- INSULATOR MATERIAL:
B: LCP
- INSULATOR COLOR:
B: BLUE
- CONTACT PLATING:
1: GOLD FLASH
□ 6: GOLD 30u"
- SHIELD PLATING:
3: NICKEL PLATING
- PACKING
T: TRAY
□ R: TAPE&REEL

GENERAL TOLERANCE X ± 0.50 .X ± 0.38 .XX ± 0.25 .XXX ± 0.15	ANGLE TOLERANCE X° ± 5.0° .X° ± 3.0° .XX° ± 2.0° .XXX° ± 1.0°	DRAWN <i>knighe</i>	DATE 07/21/15'	 TITLE: USB 3.0, A TYPE, 90° SMT H=7.0 CONNECTOR. PART NUMBER: USAR-6H09-BBX3X DRAWING NO. GT23-210262	SIZE A4 REV. E
MATL SEE BOM	FINISH SEE NOTES	CHECKED	DATE		
SCALE <i>N/A</i>	UNIT <i>mm</i>	APPROVED <i>River</i>	DATE 07/21/15'		
SHEET 1 OF 1					

ITEM	NAME	Q'TY	DESCRIPTION
3	SHEEL	1	BRASS, NICKEL 50u" MIN NICKEL PLATING OVERALL
2	CANTACT	9	BRASS, GOLD PLATING ON CONTACT AREA, TIN 100u" MIN PLATING ON SOLDER AREA, NICKEL 50u" MIN PLATING OVERALL
1	HOUSING	1	LCP

BLUE, UL94 V-0
NOTE

UNIT *mm*



A

B

C

D

E

A

B

C

D

E

1 2 3 4 5 6 7 8

1 2 3 4 5 6 7 8