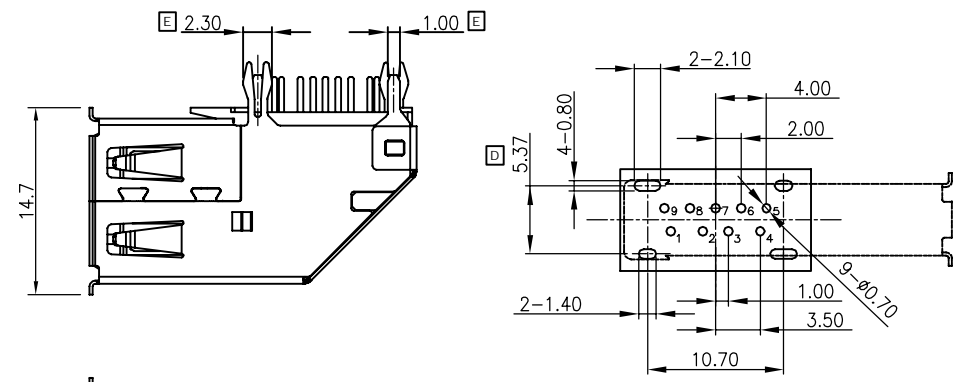


REV.	ECN. NO.	DESCRIPTION	ENG	DATE
A		INITIAL	Jeff	11/20/12'
B		Plating specification	River	09/11/13'
C		ADDED PLATING OPTION	Jeff	10/08/13'
D		Modify plating spec. and material	Jesse	05/06/14'
E		Add dimensions	Jesse	05/19/14'
F		Add pin assignment	Jesse	06/04/14'

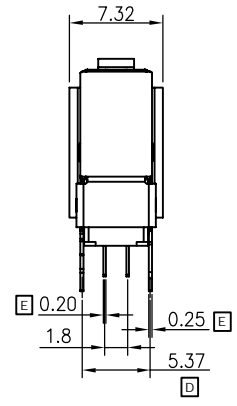
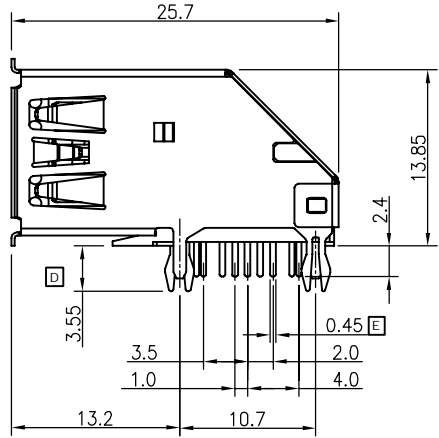
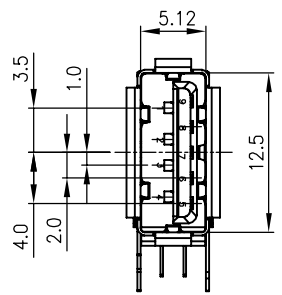


D RECOMMENDED PCB LAYOUT
 <TOP VIEW>
 PCB LAYOUT TOLERANCE IS ±0.05

NOTES:
 Contact current Rating:
 1.8 Amperes for pin1 & pin4.
 0.25 Amperes other contacts
 Dielectric Withstanding Voltage: 100V AC(RMS)
 Insulation resistance:100Megohms min.
 Contact Resistance:
 30m ohm Max for pin1 & pin4
 50m ohm Max for other contacts
 Mechanical Characteristics:
 Mating Force:35 Newton. max.
 Un-mating Force:10 Newton min.
 8 Newton min. After Durability
 perating Temperature:-55°C to +85°C

ORDER INFORMATION:
D C B USAR-4D 09 - B B X 3 T 1D
 ① ② ③ ④ ⑤ ⑥ ⑦ ⑧

- CONNECTOR:
USAR: USB A TYPE R/A CONNECTOR
- TYPE:
4D: FEMALE DIP TYPE
- POSITIONS:
09: 9 POSITIONS
- INSULATOR MATERIAL:
B: LCP
- INSULATOR COLOR:
B: BLUE
- CONTACT PLATING:
1: GOLD FLASH
3: GOLD 5u"
5: GOLD 15u"
6: GOLD 30u"
- SHIELD PLATING:
3: NICKEL PLATED
- PACKING:
T: TRAY



F Pin Assignment

Pin Number	Pin Name	Description
1	VBus	+5V Power
2	USB D-	USB 2.0 data
3	USB D+	
4	GND	Ground for power return
5	StdA_SSRX-	Super Speed receiver
6	StdA_SSRX+	Super Speed receiver
7	GND_DRAIN	Ground for signal return
8	StdA_SSTX-	Super Speed transmitter
9	StdA_SSTX+	Super Speed transmitter

ITEM	NAME	Q'TY	DESCRIPTION	MATERIAL	FINISH / COLOR	NOTE
5	5PIN CONTACT	5		BRASS		
4	4PIN CONTACT	4		D BRASS		
3	SHELL	1		D SUS201	D B 40u" NICKEL PLATING OVERALL	
2	COVER	1		D LCP, UL94V-0	COLOR: BLUE	
1	HOUSING	1		D LCP, UL94V-0	COLOR: BLUE	

GENERAL TOLERANCE	ANGLE TOLERANCE	DRAWN	DATE	
X.± .X± 0.40 .XX± 0.30 .XXX±	X°± .X°± .XX°± .XXX°±	Jesse	06/04/14'	
MATL. SEE BOM		CHECKED	DATE	PART NUMBER. USAR-4D09-BB3T1D
FINISH SEE NOTES		APPROVED	DATE	DRAWING NO. GT17-200325
SCALE N/A	UNIT mm	SHEET 1 OF 1		SIZE A4 REV. F