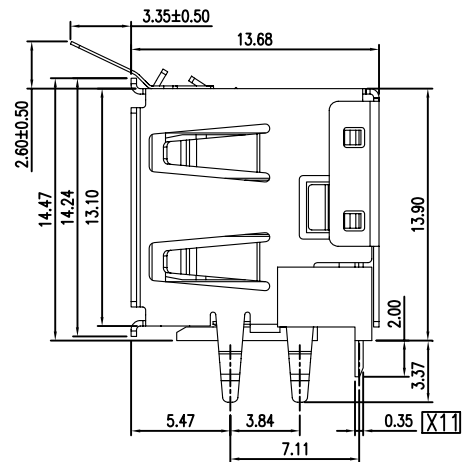
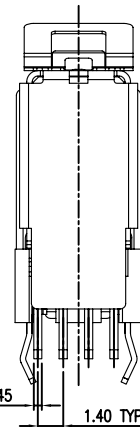


X9

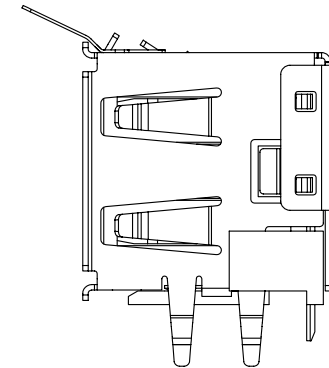


X11 0.45

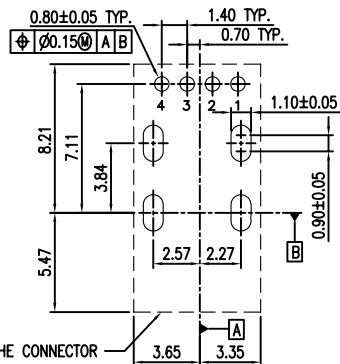
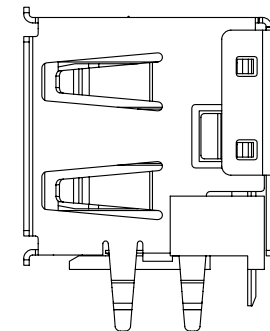


X8

USAR-21: WITH TOUCH FINGER



USAR-2J: WITHOUT TOUCH FINGER



THE EDGE OF THE CONNECTOR

RECOMMENDED PCB THICKNESS=1.60±0.05mm

TOLERANCE	
LINEAR	ANGLES
X.±0.50	X°.±3°
.X±0.38	.X°±3°
.XX±0.25	.XX°±3°
.XXX±0.15	.XXX°±3°

GENESIS
TECHNOLOGY, INC
A Genesis Electro-Mechanical Company

7F, No. 191, Sec. 2
Chung-Yang Rd.,
Tu-Cheng City
Talpei Hsien, Taiwan

TITLE: USB A FLAG TYPE

PART NO. USAR-2X04-EXX3T01

DWG NO. GTI08-25098

	UNITS	SCALE	SHEET	REV
	mm	NONE	10F2	X13

NOTES:

*Electrical Characteristics.

- ✕5 Voltage Rating: 30VDC Max. (r.m.s)
Contact Current Rating: 1.5Amperes.
Dielectric Withstanding Voltage:AC 500V r.m.s.
Insulation Resistance:1000MΩ Min.
Contact Resistance:30mΩ Max.

*Environmental:

Operating Temperature:-30~to+85°.

*Mechanical Characteristics

Contact Insertion Force:3.57kgf.Maximum.
Contact Separation Force:1.02kgf.Minimum.

- ✕10 Durability: 1500 Cycles.

*Material:

- ✕3 Housing: NYLON, UL 94V-0 Rated, 260°C 3~5s
Contact: Copper Alloy (t=0.20mm),Gold plated on contact area,
Under plated nickel 50u"Min. ✕13
- Shell: Copper Alloy (t=0.30mm) Nickel Plated
Touch finger: SUS (t=0.15mm),None plated
RoHS Compliant

ORDER INFORMATION

✕12 USAR- 2X 04 - E X X 3 T 01
① ② ③ ④ ⑤ ⑥ ⑦ ⑧

1. CONNECTOR:

USAR: USB A TYPE R/A CONNECTOR

2. TYPE:

- ✕8 21: FEMALE, DIP, FLAG TYPE WITH TOUCH FINGER
- 2J: FEMALE, DIP, FLAG TYPE WITHOUT TOUCH FINGER

3. POSITIONS

04: 4 POSITIONS

4. INSULATOR MATERIAL

E: NYLON6T

5. INSULATOR COLOR

K: BLACK

W: WHITE

6. CONTACT PLATING

- ✕13 3: GOLD 5 u"

6: GOLD 30 u"

7. SHIELD PLATING

3: NICKEL PLATED

8. PACKING

T: TRAY

✕13	ADD PLATING OPTION	Terry	05/27/16'
✕12	REVISE P/N	Terry	05/19/16'
✕11	ADD DIM.	Daniel	07/30/15'
✕10	MODIFY DRAWING	Terry	04/30/13'
✕9	MODIFY DRAWING	Terry	05/20/11'
✕8	REVISE DRAWING	Terry	06/02/10'
✕7	MODIFY PART NUMBER	Terry	06/30/09'
✕6	MODIFY PART NUMBER	Vegas	04/23/09'
✕5	MODIFY DRAWING	Vegas	03/27/09'
✕4	REVISE DRAWING	Vegas	11/28/08'
✕3	MODIFY PCB LAYOUT CHANGE MATERIAL WAS PBT	Vegas	10/23/08'
✕2	MODIFY TOUCH FINGER	Vegas	09/09/08'
✕1	ISSUED	Vegas	09/08/08'
REV.	ECN NO.	NAME	DATE

PART NO.	USAR-2X04-EXX3T01	SHEET	REVISION
DWG NO.	GTI08-25098	20F2	SEE SHEET 1