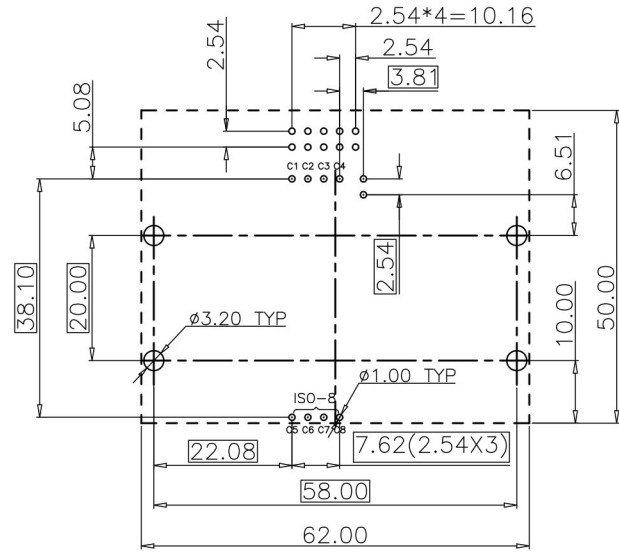
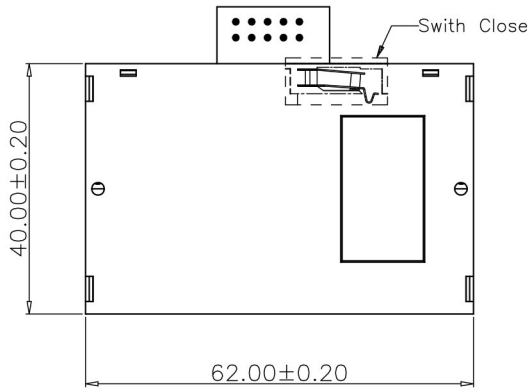


PROPRIETARY INFORMATION
COMPANY CONFIDENTIAL

REV.	ECN. NO.	DESCRIPTION	ENG	DATE
A		INITIAL	Knight	03/10/15'



Unit:mm; Tolerances:±0.05mm
Reference dimension for PCB layout

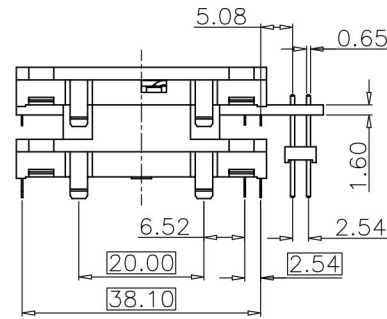
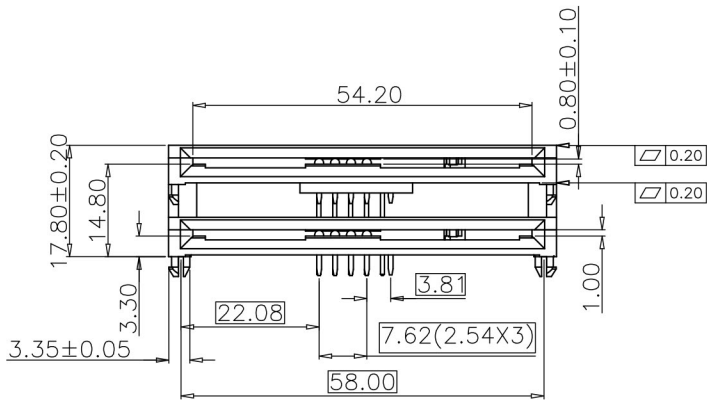
NOTES:

- CONTACT RESISTANCE:50mΩ MAX
- DIELECTRIC WITHSTANDING VOLTAGE:500V DC MAX
- DURABILITY:100000 CYCLES
- RoHS COMPLIANCE

ORDER INFORMATION

SMCR-85 16 - A K H O T
① ② ③ ④ ⑤ ⑥ ⑦

- TYPE:
SMCR-85:DOUBLE BECK SMART CAED CONNECTOR
- POSITIONS
16:16 POSITIONS
- INSULATOR MATERIAL:
A: PBT
- INSULATOR COLOR:
K: BLACK
- CONTACT PLATING:
H: GOLD 2u"
- SHIELD PLATING:
O: NONE SHIELD
- PACKING
T: TRAY



ITEM	NAME	Q'TY	DESCRIPTION	NOTE	GENERAL TOLERANCE	ANGLE TOLERANCE	DRAWN	DATE	
2	CONTACT	08	PHOSPHOR BRONZE, GOLD FLASH MIN PLATING CONTACT AREA, TIN 80u" MIN PLATING SOLDER AREA, 50u" MIN PLATING UNDER OVERALL		X ± 0.50 .X ± 0.38 .XX ± 0.25 .XXX ± 0.15	X° ± 5.0° .X° ± 3.0° .XX° ± 2.0° .XXX° ± 1.0°	<i>Knight</i>	03/10/15'	
1	HOUSING	1	PBT	BLACK, UL94 V-0	MATL SEE BOM	FINISH SEE NOTES	CHECKED	DATE	PART NUMBER: SMCR-8516-AKH0T
3	SWITH	2	PHOSPHOR BRONZE, GOLD 2u" MIN PLATING CONTACT AREA, TIN 80u" MIN PLATING SOLDER AREA, 50u" MIN PLATING UNDER OVERALL		SCALE N/A	UNIT mm	APPROVED	DATE	DRAWING NO. GT26-210428
2	CONTACT	08	PHOSPHOR BRONZE, GOLD 2u" MIN PLATING CONTACT AREA, TIN 80u" MIN PLATING SOLDER AREA, 50u" MIN PLATING UNDER OVERALL		SHEET 1 OF 1		<i>River</i>	03/10/15'	SIZE A4 REV. A
1	HOUSING	1	PBT	BLACK, UL94 V-0					