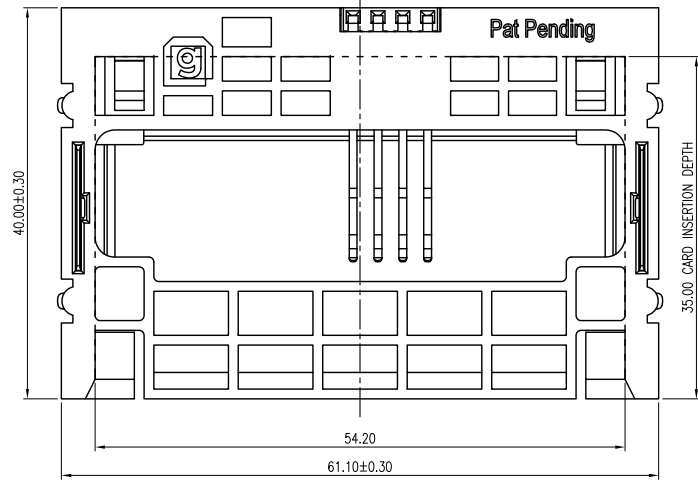
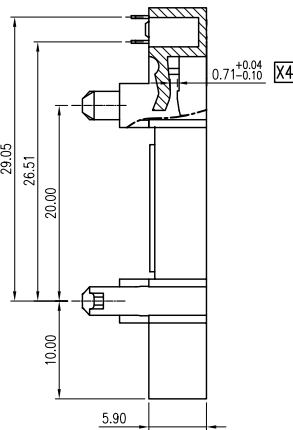


REV	ECN. NO.	DESCRIPTION	ENG	DATE
X1		ISSUED	TERRY	07/21/12'
X2		MODIFY DWG	TERRY	08/16/12'
X3		MODIFY DWG	TERRY	08/21/12'
X4		MODIFY DWG	TERRY	09/04/12'
X5		MODIFY DWG	TERRY	10/23/12'



NOTES:

- MATERIALS:
HOUSING: PBT+30% G.F. UL94V-0, COLOR: BLACK
COVER: PBT+30% G.F. UL94V-0, COLOR: BLACK
CONTACTS: COPPER ALLOY
SWITCH: COPPER ALLOY
HEAT SINK: AL
- FINISH:
CONTACTS: PLATE NICKEL 50u" MIN OVER ALL SURFACE
GOLD PLATE ON MATING SURFACE
SWITCH: PLATE NICKEL 50u" MIN OVER ALL SURFACE
GOLD FLASH ON MATING SURFACE
BOARD LOCK: PLATE NICKEL 50u" MIN OVER ALL SURFACE
TIN 80u" MIN OVER NICKEL

X5 3. THE CPK OF DIMENSION 0.71+0.04/-0.10 MUST BE MORE THAN 1.66

PART. NUMBER
SMCR-65 08 - A K * 0 I 01
① ② ③④⑤⑥⑦

① CONNECTOR:
SMCR-65: SMART CARD WITH HEAT SINK CONNCTOR

② POSITION:
08: 08 POSITIONS

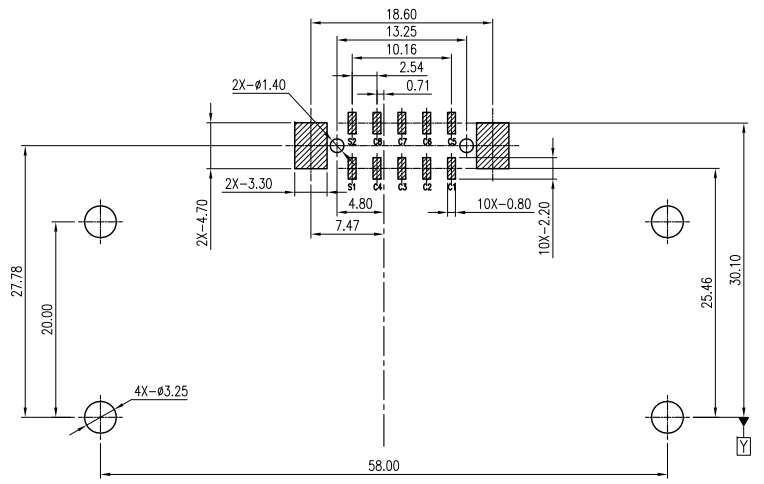
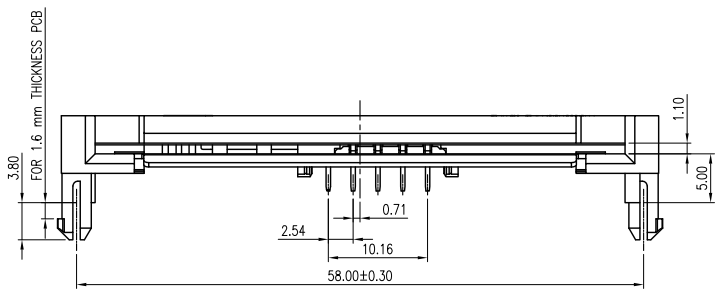
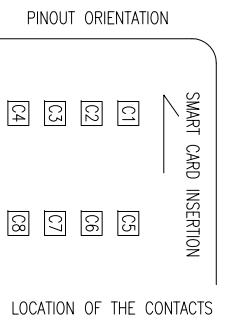
③ INSULATOR MATERIAL:
A: PBT, 94V-0

④ INSULATOR COLOR:
K: BLACK

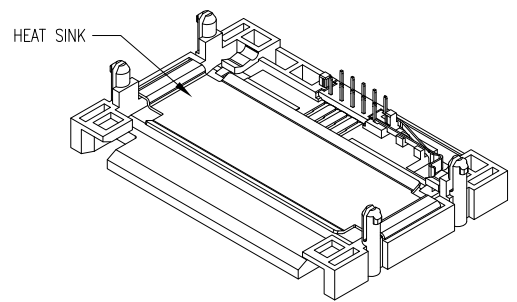
⑤ CONTACT PLATING:
1: GOLD FLASH
5: 15u" GOLD

⑥ SHIELD PLATING
0: NONE-SHIELD

⑦ PACKING
T: TRAY



RECOMMENDED PCB LAYOUT
TOLERANCE:±0.05MM



PROPRIETARY INFORMATION
COMPANY CONFIDENTIAL

GENERAL TOLERANCE X.± .X±0.38 .XX±0.25 .XXX±0.10	ANGLE TOLERANCE X°± 2.00° .X°± 1.00° .XX°± 0.50° .XXX°±	DRAWN TERRY	DATE 7/21/12'		TITLE. SMART CARD ASSEMBLY
MATL SEE BOM	FINISH SEE NOTES	CHECKED	DATE		PART NUMBER. SMCR-6508-AKX0T01
SCALE N/A	UNIT mm	APPROVED	DATE	DRAWING NO. GT17-250122	SIZE A4 REV. X5
SHEET 1 OF 1					