

REV	ECN. NO.	DESCRIPTION	ENG	DATE
X1		ISSUED	TERRY	06/16/11'
X2		ADD NOTE HEAT SINK	TERRY	06/29/11'
X3		ADD X3 MARK, MODIFIED TWO BRACKETS TO REDUCE SLIGHT HOLDING FORCE	TERRY	08/03/11'
X4		ADD Pat Pending	TERRY	12/08/11'

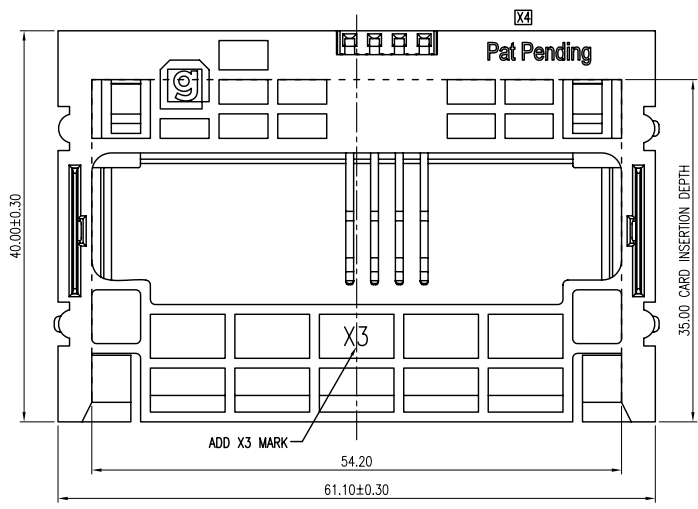
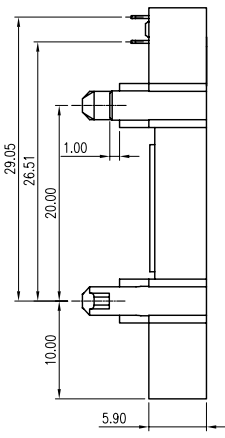
PART. NUMBER

SMCR-4K 08 - A K \* 0 T 01  
 ① ② ③④⑤⑥⑦

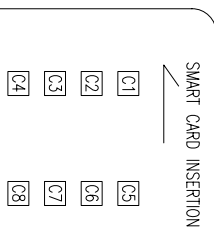
- ① CONNECTOR:  
SMCR-4K: SMART CARD DIP TYPE CONNECTOR, PCB THICKNESS 1.0mm.
- ② POSITION:  
08: 08 POSITIONS
- ③ INSULATOR MATERIAL:  
A: PBT, 94V-0
- ④ INSULATOR COLOR:  
K: BLACK
- ⑤ CONTACT PLATING:  
1: GOLD FLASH  
5: 15u" GOLD
- ⑥ SHIELD PLATING  
0: NONE-SHIELD
- ⑦ PACKING  
T: TRAY

NOTES:

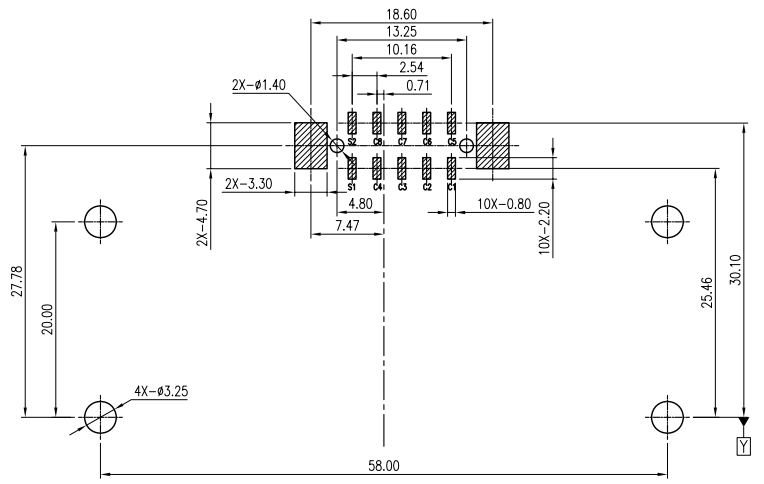
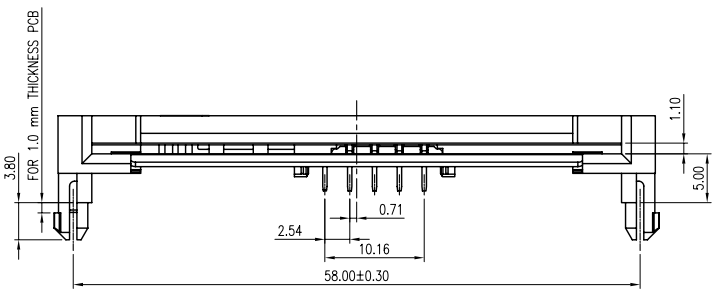
1. THE CONTACT LOCATIONS AND PIN OUT MUST COMPLY WITH ISO7816-2
2. MATERIALS:  
HOUSING: PBT+30% G.F. UL94V-0, COLOR: BLACK  
COVER: PBT+30% G.F. UL94V-0, COLOR: BLACK  
CONTACTS: COPPER ALLOY  
SWITCH: COPPER ALLOY  
HEAT SINK: AL
3. FINISH:  
CONTACTS: PLATE NICKEL 50u" MIN OVER ALL SURFACE  
GOLD PLATE ON MATING SURFACE.  
SWITCH: PLATE NICKEL 50u" MIN OVER ALL SURFACE  
GOLD FLASH ON MATING SURFACE  
BOARD LOCK: PLATE NICKEL 50u" MIN OVER ALL SURFACE  
TIN 80u" MIN OVER NICKEL
4. NDS MATING FORCE AND UNMATING FORCE: 3N MIN, 7N MAX
5. OPERATING TEMPERATURE RANGE: -30°C ~ + 80°C
6. CURRENT RATING: 1 AMP MAX.
7. VOLTAGE: AC35V/PIN
8. INSULATION RESISTANCE: 1000MΩ
9. RoHS COMPLIANT



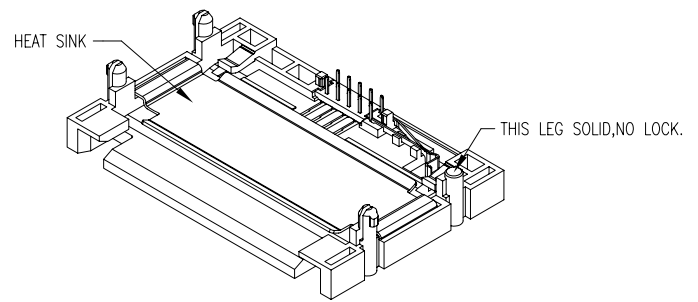
PINOUT ORIENTATION



LOCATION OF THE CONTACTS



RECOMMENDED PCB LAYOUT TOLERANCE: ±0.05MM



**PROPRIETARY INFORMATION  
 COMPANY CONFIDENTIAL**

GENERAL TOLERANCE X.± .X±0.38 .XX±0.25 .XXX±0.10	ANGLE TOLERANCE X°± 2.00° .X°± 1.00° .XX°± 0.50° .XXX°±	DRAWN TERRY	DATE 07/18/11'		TITLE. SMART CARD ASSEMBLY
MATL SEE BOM	FINISH SEE NOTES	CHECKED	DATE		PART NUMBER. SMCR-4K08-AKX0T01
SCALE N/A	UNIT mm	APPROVED	DATE	DRAWING NO. GT14-250104	SIZE A4 REV. X4
SHEET 1 OF 1					