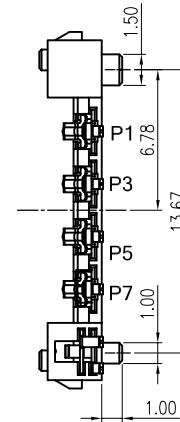
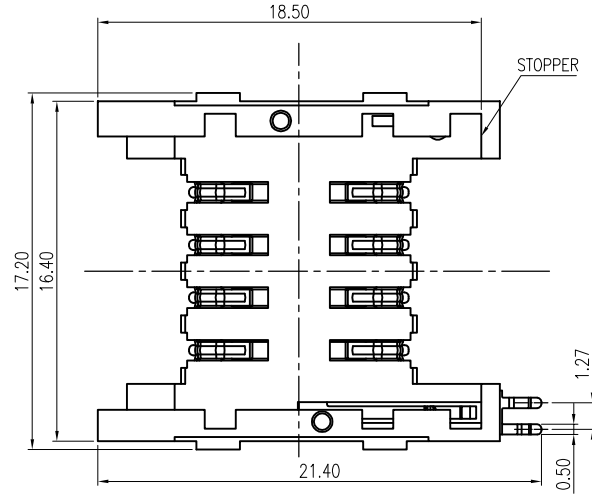
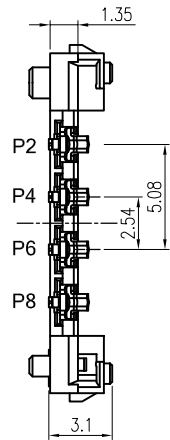


PROPRIETARY INFORMATION  
COMPANY CONFIDENTIAL

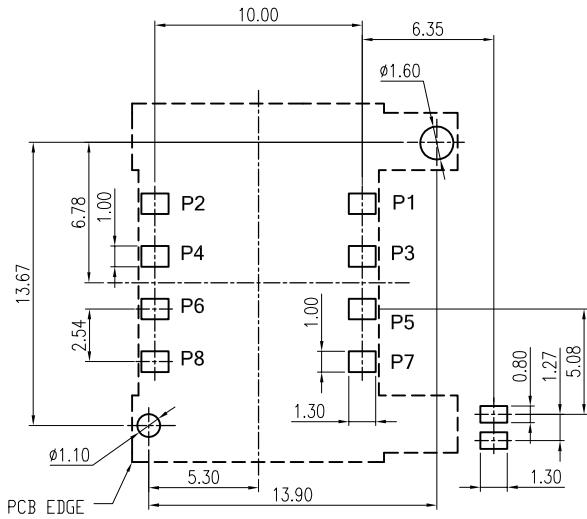
REV.	ECN. NO.	DESCRIPTION	ENG	DATE
A		INITIAL	DANIEL	6/12'15



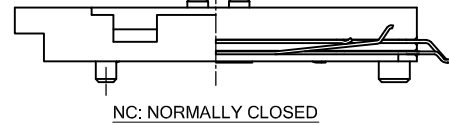
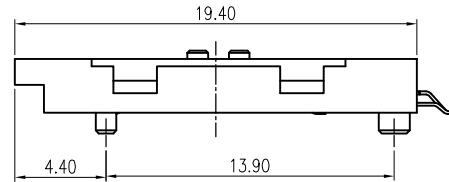
ORDER INFORMATION

SIMR- 2H08 - B K X 0 T  
① ② ③④⑤⑥⑦

- CONNECTOR  
SIMR-2H: SIM CARD CONNECTOR
- POSITIONS  
08: 8 POSITIONS
- INSULATOR MATERIAL  
B: LCP
- INSULATOR COLOR  
K: BLACK
- CONTACT PLATING  
1: GOLD FLASH  
8: 6u" GOLD PLATING  
5: 15u" GOLD PLATING
- SHIELD PLATING  
0: NONE-SHIELD
- PACKING  
T: TRAY



RECOMMENDED PCB LAYOUT  
TOLERANCE: ± 0.05



NOTE:

Material  
Contacts: Phosphor Bronze.  
Plating: Selective gold on contact area, gold flash on solder tail, nickel under-plating overall.  
Switch: Phosphor Bronze.  
Plating: gold flash on contact and solder tail area both, nickel under-plating overall.  
Insulation: Thermoplastic UL94V-0

Electrical Characteristics

Number of contacts: 6 or 8 pins  
Card ending switch: See Order information.  
Contact resistance: 100 m ohms max.  
Insulation resistance: >1000 megohms /500 VDC  
Operating temperature: -25°C to +85°C  
RoHS Compliant  
Coplanarity of Solder tails to be within 0.12mm  
Measurement point is solder tails tip.

RoHS Compliant

4	HOUSING	1	LCP	
3	SWITCH 1	1	C5191	0.15mm
2	SWITCH 2	1	C5191	0.15mm
1	CONTACT1	8	C5191	0.15mm
ITEM	NAME	Q'TY	DESCRIPTION	THICKNESS

GENERAL TOLERANCE X.± 0.50 .X± 0.38 .XX± 0.25 .XXX± 0.15	ANGLE TOLERANCE X°± 5.0° .X°± 3.0° .XX°± 2.0° .XXX°± 1.0°	DRAWN DANIEL	DATE 06/12'15	 TITLE: SIM CARD READER SMT TYPE CONNECTOR PART NUMBER: SIMR-2H08-BKX0T
MATL SEE BOM	FINISH SEE NOTES	CHECKED	DATE	
SCALE N/A	UNIT mm	APPROVED	DATE	DRAWING NO. GT26-250226
SHEET 1 OF 1				SIZE A4 REV. X1