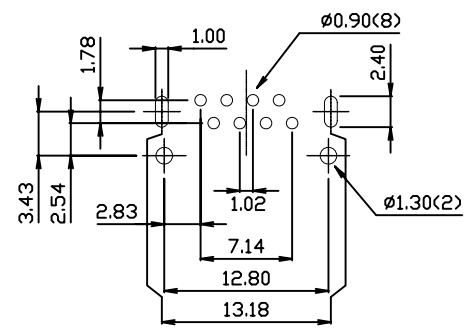
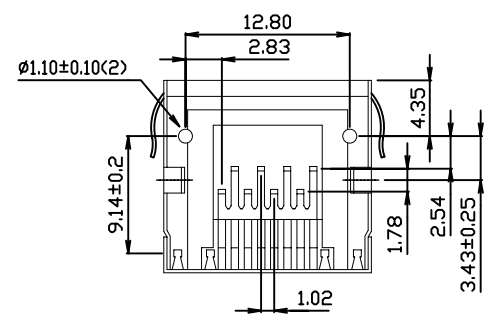
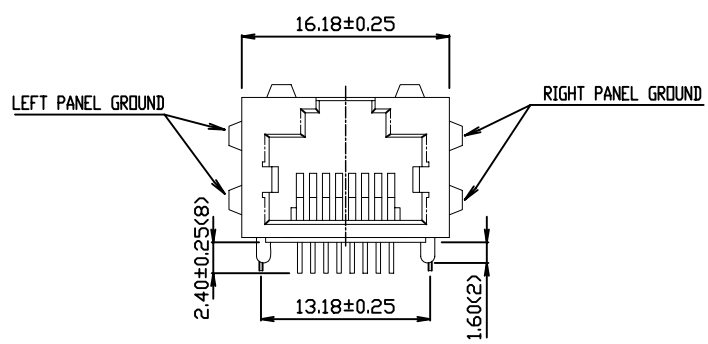
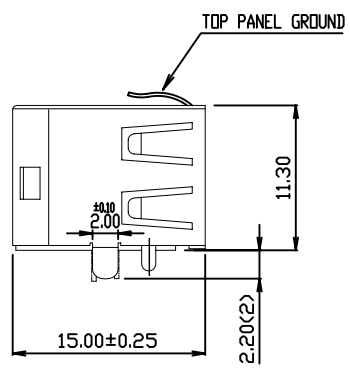


NOTES:
 · HOUSING-DSM STANYL TE250F6 (NYLON-46)
 HEAT DEFLECTION TEMP.290°
 BLACK COLOR, UL94V-0
 · CONTACTS-0.35mm THICK PHOS-BRONZE PLATED
 WITH HARD GOLD AND GOLD FLASH IN
 SOLDER AREA.
 · SHIELD-0.25mm THICK COPPER ALLOY,
 PLATED WITH NICKEL.
 CAVITY CONFIRMS TO FCC RULES AND REGULATIONS
 PART 68,SUBPART F.




PCB LAYOUT
Ref.

ORDER INFORMATION
 RJ4R-2T 08 -C K 1 3 T 1Q
 ① ② ③ ④ ⑤ ⑥ ⑦

1. CONNECTOR:
RJ4R: RJ45 R/A CONNECTOR
2. TYPE:
2T: FEMALE, DIP TYPE
3. POSITIONS
08: 8 POSTIONS
4. INSULATOR MATERIAL
C: NYLON 46
5. INSULATOR COLOR
K: BLACK
6. CONTACT PLATING
1: PLATED WITH HARD GOLD AND
GOLD FLASH IN SOLDER AREA
7. SHIELD PLATING
3: NICKEL PLATING

RoHS Compliant

TOLERANCE		 7F, No. 191, Sec. 2 Chung-Yang Rd., Tu-Cheng City Taipei Hsien, Taiwan A Genesis Electro-Mechanical Company		TITLE: RJ45 RECEPTACLE CONNECTOR			
LINEAR	ANGLES			PART NO. RJ4R-2T08-CK13T1Q			
X. ± 0.38	X° ± 0°30°			DWG NO. GTI09-25090			
.X ± 0.25	.X° ± 0°30°	APPD:	MAT'L:				
.XX ± 0.13	.XX° ± 0°30°	CHKD:	FINISH:				
.XXX ± 0.05	.XXX° ± 0°30°	DRWN: Kathy-Tan	Q'TY:				

[A]	ISSUED	Vegas	07/28/09	.XX ± 0.13	.XX° ± 0°30°
REV.	ECN NO.	NAME	DATE	.XXX ± 0.05	.XXX° ± 0°30°