

RJ4R- 2P 08 - X K X 3 T 1K
 ① ② ③ ④ ⑤ ⑥ ⑦

1. CONNECTOR:
 RJ4R: RJ45 R/A CONNECTOR
2. TYPE:
 2N: FEMALE, DIP TYPE, C6 JACK SIDE ENTRY HRS
3. POSITIONS
 08: 8 POSITIONS
4. INSULATOR MATERIAL
 A: PBT
 J: FR52
5. INSULATOR COLOR
 K: BLACK COLOR
6. CONTACT PLATING
 2: GOLD 3u"
 5: GOLD 15u"
 6: GOLD 30u"
 7: GOLD 50u"
 8: GOLD 6u"
7. SHIELD PLATING
 3: NICKEL

NOTES:

ELECTRICAL:

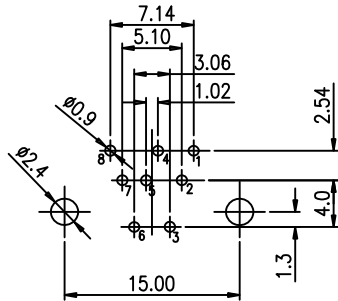
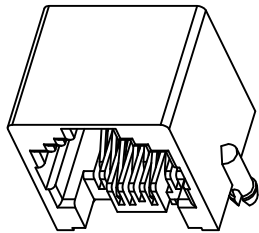
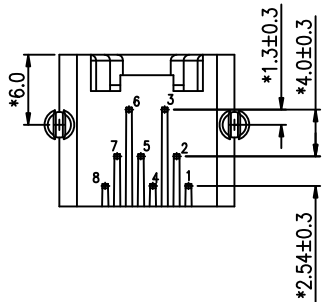
- VOLTAGE RATING : 125 VAC RMS.
- CURRENT RATING : 1.5 AMP.
- CONTACT RESISTANCE : 30 MILLIOHMS MAX.
- INSULATION RESISTANCE: 500 MEGOHMS MIN. @ 500 VDC.
- DIELECTRIC STRENGTH : 1000 VAC RMS 60Hz, 1MIN.

MECHANICAL:

- HOUSING MATERIAL : GLASS FILLED POLYESTER OR HIGH TEMP. UL94V-0. COLOR, STANDARD BK.
- CONTACT MATERIAL : PHOSPHOR BRONZE t=0.35mm.
- PLATING : GOLD PLATING OVER NICKEL.
- OPERATING LIFE : 750 CYCLES MIN.
- PCB RETENTION PRE-SOLDER : 1 LB MIN.
- PCB RETENTION POST-SOLDER: 10 LBS MIN.

ENVIRONMENTAL:

- STORAGE : -40°C TO +85°C.
 - OPERATION: 0°C TO 70°C.
- MATES WITH MODULAR PLUG CONFORMING TO FCC PART 68, SUBPART F.
- RoHS COMPLIANT



PC Board Layout Component Side Shown

TOLERANCE		GENESIS TECHNOLOGY, INC. A Genesis Electro-Mechanical Company	TITLE:								
LINEAR	ANGLES		C6 JACK SIDE ENTRY HRS								
X. ±	X° ±5°	APPD:	PART NO. RJ4R-2P08-XXK3T1K								
.X ± 0.20	.X° ±5°		MAT'L:	DWG NO. GTI09-25026							
①	ISSUED	Vegas	03/22/09	.XX ± 0.15	.XX° ±5°	CHKD:	FINISH:	UNITS	SCALE	SHEET	REV
REV.	ECN NO.	NAME	DATE	.XXX ± 0.10	.XXX° ±5°	DRWN: VEGAS	Q'TY:				