

Note:

Electrical:

1. Voltage Rating : 125 VAC RMS
2. Current Rating : 1.5 Amp
3. Contact Resistance : 45 Milliohms Max.
4. Insulation Resistance : 1000 Megohms Min @ 500 VDC
5. Dielectric Strength : 1000 VAC RMS 60Hz 1MIN

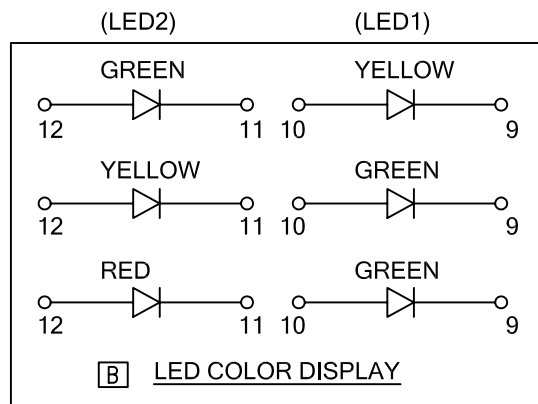
Mechanical:

1. Housing Material : Glass Filled Polyester or FR52 UL94V-0
2. Contact Material : Phosphor Bronze t=0.35mm.
3. Plating : Gold Plating over Nickel
4. Operating Life : 750 Cycle MIN.
5. PCB Retention Pre-Solder : 1LB MIN.
6. PCB Retention Post-Solder : 10LBS MIN.

Environmental:

1. Storage : -40°C to +85°C
2. Operation : 0°C to +70°C

Mates With Modular Plug Conforming to FCC Part 68, Subpart F.



RoHs Compliant

				TOLERANCE		 <small>1015 GRANT STREET S.E. ATLANTA, GA 30315</small>		TITLE: Side Entry LED Jack			
				LINEAR	ANGLES			PART NO.	RJ45-D01X-XXX		
[D]	ADDED TAB OPTION SELECTION IN ORDERING INFORMATION	FOX	3/23/10'					DWG NO. SC-10056			
[C]	MODIFY PLASTIC HOUSING	Kevin	2/18/09'	X.±	X'.±	APPD:	MAT'L:	UNITS	SCALE	SHEET	REV
[B]	CORRECT LED Cathode and Anode Pin Out and Plating selection	AXL	9/16/08'	.X±0.30	.X'±	CHKD:	FINISH:	MM	NONE	1 OF 2	D
[A]	ISSUED	SWL	04/28/08'	.XX±0.15	.XX'±	DRWN: AXL	Q'TY:				
REV	ECN NO.	NAME	DATE	.XXX±0.10	.XXX'±						

Ordering Information:

RJ 45-D 01 X X XX [B][D]

Plating: (Selective plating for stamping contacts)

S3 = 3 u"

S5 = 6u"

S7 = 15u"

S8 = 30u"

S9 = 50u"

Led Configuration:

See LED Chart

TAB OPTION

A: With Top Tab

D: With Top & Side Tabs

E: Without Tab

Number of Ports

Mounting Type:

D = R/A tab down

RJ45 Series:

LED CHART

	Left LED		Right LED	
	-L3/+L4	+L3/-L4	-L1/+L2	+L1/-L2
0	w/o	w/o	w/o	w/o
1	Green		Yellow	
2		Green		Yellow
3	Green		Green	Yellow
4	Yellow		Green	
5		Green	Yellow	Green
6	Green	Orange	Yellow	
7	Yellow		Green	Orange
8	Yellow		Orange	Green
9	Green	Orange	Green	
B		Yellow		Green
C	Green		Green	
D	Green	Yellow	Green	Yellow

PART NO.	RJ45-D01X-CS7	SHEET	REVISION
DWG NO.	SC-10056	2 OF 2	SEE SHEET 1