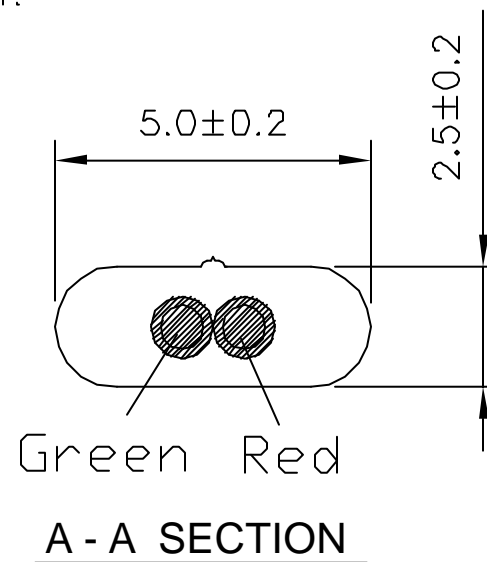


NOTES:

1. CABLE: [28AWG(7/0.127)x2C]TIN, FLAT CABLE, COLOR:IVORY.
2. PLUG: 6P2C GOLD PLATING 6u".
3. RoHS Compliant.
4. Specify Length as Suffix on Part Number in mm.
For Example:
RJ11Y-10320-1800 = 1800mm Long Cable.

WIRING

PLUG1 6P2C	Color	PLUG2 6P2C
3	Green	4
4	Red	3



ORDER INFORMATION

RJ11 Y - 10320- X
 _____ LENGTH
 _____ TOOLING
 _____ JACKET COLOR
 _____ SERIES 6/2

TOLERANCE	
LINEAR	ANGLES
X.±	X'.±
.X±0.25	.X'±
.XX±0.15	.XX'±
.XXX±0.05	.XXX'±



TITLE: RJ11 6P2C CABLE ASSY

PART NO. RJ11Y-10320-X

DWG NO. SC-10320

[A]	ISSUED	AXL	1/3/07'
REV	ECN NO.	NAME	DATE

APPD:	MAT'L:
CHKD:	FINISH:
DRWN: AXL	Q'TY:

	UNITS	SCALE	SHEET	REV
	MM	NONE	1 OF 1	A