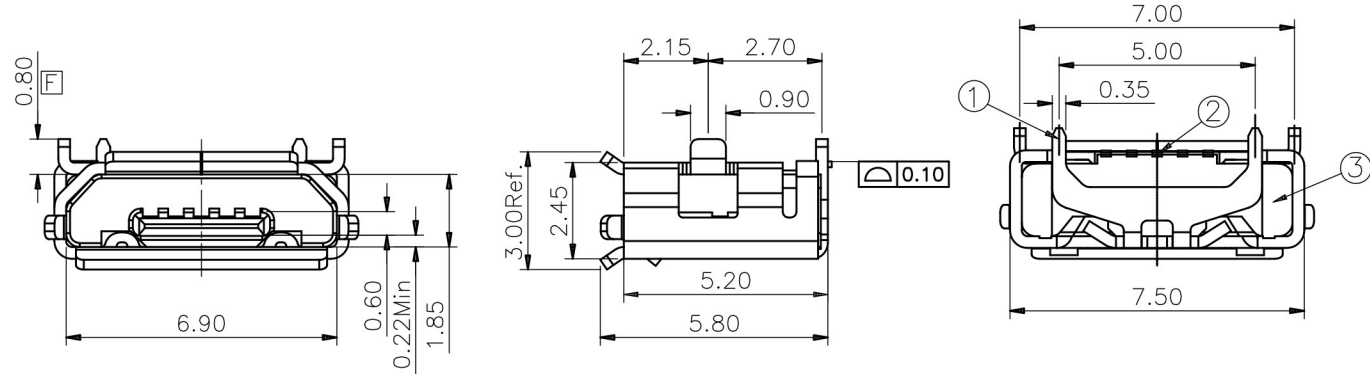


PROPRIETARY INFORMATION
COMPANY CONFIDENTIAL

REV.	ECN. NO.	DESCRIPTION	ENG	DATE
A		INITIAL	Suo	07/29/14'
B		UPDATE DRAWING	Knight	11/07/14'
C		UPDATE PCB LAYOUT	Knight	11/11/14'
D		UPDATE PCB LAYOUT DIMENSION	Knight	11/18/14'
E		MODIFY BOM TABLE INFO ,ADD SPEC	Knight	05/14/15'
F		UPDATE ORDER INFORMATION AND ADD DIMENSION	Knight	05/18/15'

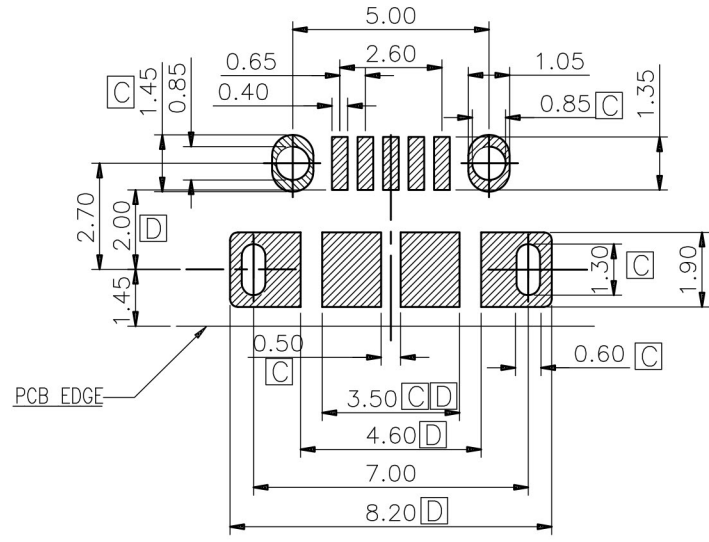
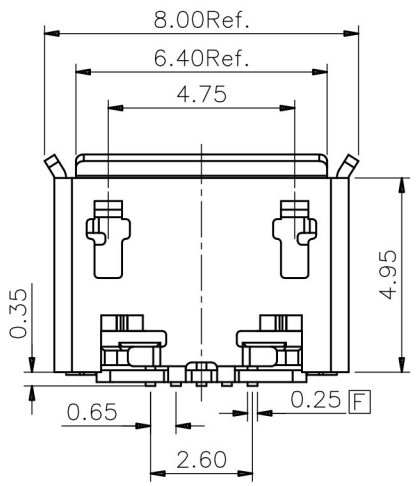


- NOTES:
- VOLTAGE RATING: 30V AC;
 - CURRENT RATING: PIN2, PIN3, PIN4 1A; PIN1, PIN5 1.8A
 - INSULATION RESISTANCE: PRE TEST 1000MΩ MIN, FINAL 100MΩ MIN.
 - CONTACT RESISTANCE :30mΩ MAX;
 - DIELECTRIC WITHSTANDING: 500V AC;
 - OPERATING TEMPERATURE RANGE: -20°C TO +85°C.
 - TOTAL INSERTION FORCE: 3.5Kgf MAX;
 - TOTAL PULLING FORCE: 0.8Kgf MIN;
 - DURABILITY: 10,000 CYCLES MIN
 - RoHS COMPLIANCE
 - SOLDERING TEMPERATURE: 260°C AT 3~5 SECONDS

ORDER INFORMATION

MUBR-2J 05 - F K X 1 R
① ② ③ ④ ⑤ ⑥ ⑦

- TYPE:
MUBR-2J: MIRCO USB 5PIN SMT
- POSITIONS:
05: 05 POSITIONS
- INSULATOR MATERIAL:
F: PA9T
- INSULATOR COLOR:
K: BLACK
- CONTACT PLATING:
1: GOLD FLASH
6: GOLD 30u"
- SHIELD PLATING:
1: TIN PLATING
- PACKING
R: TAPE&REEL



RECOMMENDED PCB LAYOUT(TOP VIEW)

GENERAL TOLERANCE X±0.50 .X±0.38 .XX±0.25 .XXX±0.15	ANGLE TOLERANCE X°±5.0° .X°±3.0° .XX°±2.0° .XXX°±1.0°	DRAWN <i>knighe</i>	DATE 05/18/14'	
MATERIAL SEE BOM		CHECKED	DATE	
FINISH SEE NOTES		APPROVED <i>River</i>		DATE 05/18/14'
SCALE N/A	UNIT mm	SHEET 1 OF 1		PART NUMBER MUBR-2J05-FKX1R
NOTE		DRAWING NO. GT23-210178		SIZE A4 REV. F

ITEM	NAME	Q'TY	DESCRIPTION
3	SHELL	1	SUS.TIN 80u" MIN PLATING OVER Cu 50u" MIN UNDER PLATING OVERALL[D]
2	CANTACT	5	BRASS,GOLD PLATING ON CONTACT AREA,TIN 100u" MIN PLATING ON SOLDER TAIL,NICKEL 50u" MIN UNDER PLATING OVERALL[D]
1	HOUSING	1	PA9T[D][F]