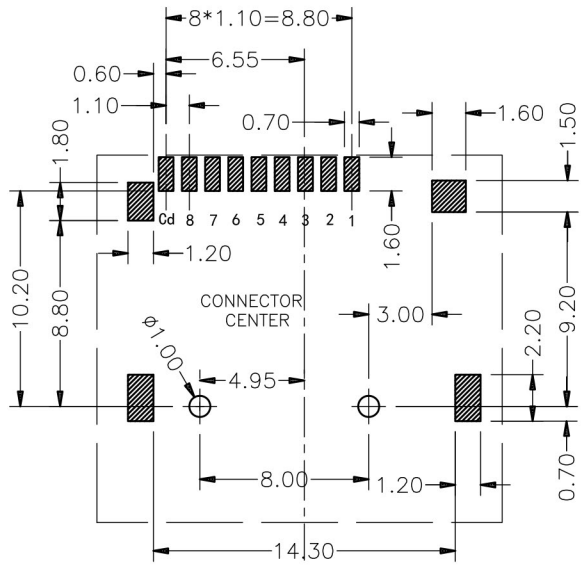
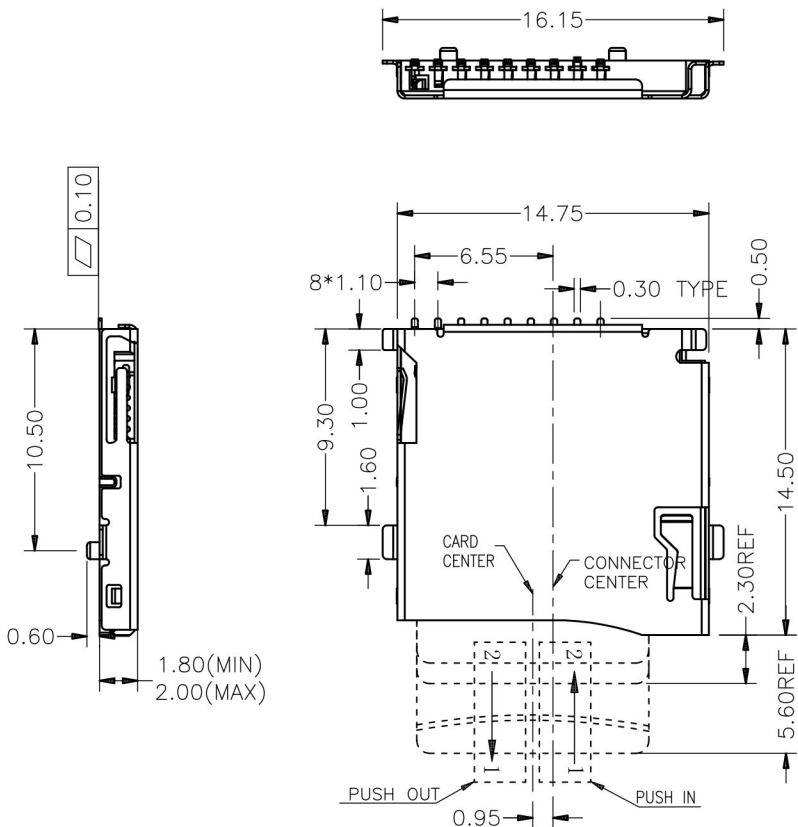


PROPRIETARY INFORMATION
COMPANY CONFIDENTIAL

REV.	ECN. NO.	DESCRIPTION	ENG	DATE
A		INITIAL	KNIGHT	3/11/2015



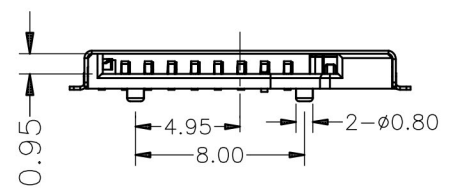
RECOMMENDED P.C.B HOLE LAYOUT
COMPONENT SIDE VIEW(TOLERANCE: +/-0.05)

- NOTE:
- 1.Current rating:0.5A AC/DC
 - 2.Contact resistance:50~100mΩ MAX
 - 3.Insulation resistance:500MΩ MIN
 - 4.Insertion Force:1.2Kgf Max
 - 5.Withdrawal Force:0.7Kgf Min
 - 6.Durability:5000 CYCLES
 - 7.Operating temperature:-25°C~90°C
 - 8.RoHs Compliance

ORDER INFORMATION

MSDR-29 09 - B K 1 1 R
① ② ③④⑤⑥⑦

1. TYPE:
MSDR-29:MICRO SD CRAD CONNECTOR
2. POSITIONS
09:09 POSITIONS
3. INSULATOR MATERIAL:
B: LCP
4. INSULATOR COLOR:
K: BLACK
5. CONTACT PLATING:
1: GOLD FLASH
6. SHIELD PLATING:
1: TIN PLATING
7. PACKING
R: TAPE&REEL



PIN NO.	NAME	TYPE	DESCRIPTION
1	DAT2	I/O/PP	DATE LINE(BIT2)
2	CD/DAT3	I/O/PP	CARD DETECT DATE LIN(BIT3)
3	CMD	PP	COMMAND RESPONSE
4	VDD	S	SUPPLY VOLTAGE
5	CLX	I	CLOCK
6	VSS	S	SUPPLY VOLTAGE GROUND
7	DATO	I/O/PP	DATE LINE(BITO)
8	DAT1	I/O/PP	DATE LINE(DIT1)

ITEM	NAME	Q'TY	DESCRIPTION	NOTE
3	SHELL	1	PHOSPHOR BRONZE, TIN 1u" MIN PLATING SOLDER AREA,NICKEL 50u" MIN PLATING UNDER OVERALL	
2	TERMINAL	9	PHOSPHOR BRONZE,GOLD FLASH MIN PLATIMH CONTACT ARER, TIN 80u" MIN PLATING SOLDER AREA,NICKEL 50u" MIN PLATING UNDER OVERALL	
1	HOUSING	1	LCP	

GENERAL TOLERANCE .X±0.50 .X±0.38 .XX±0.25 .XXX±0.15	ANGLE TOLERANCE X°± 5.0° .X°± 3.0° .XX°± 2.0° .XXX°± 1.0°	DRAWN <i>knighe</i> DATE 3/11/15'
MATL SEE BOM	FINISH SEE NOTES	CHECKED DATE
SCALE N/A	UNIT mm	APPROVED <i>River</i> DATE 3/11/15'
SHEET 1 OF 1		

GENESIS TECHNOLOGY, INC.	
TITLE: MICRO SD CARD CONNECTOR	
PART NUMBER: MSDR-2909-BK11R	
DRAWING NO. GT26-210435	SIZE A4 REV. A