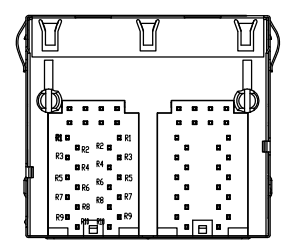
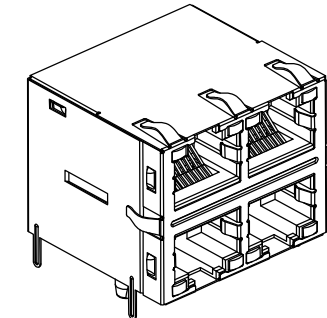
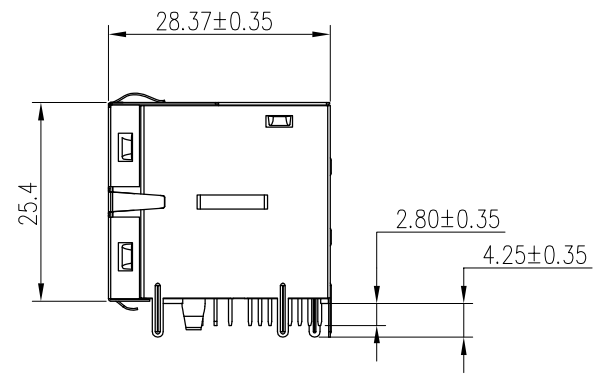
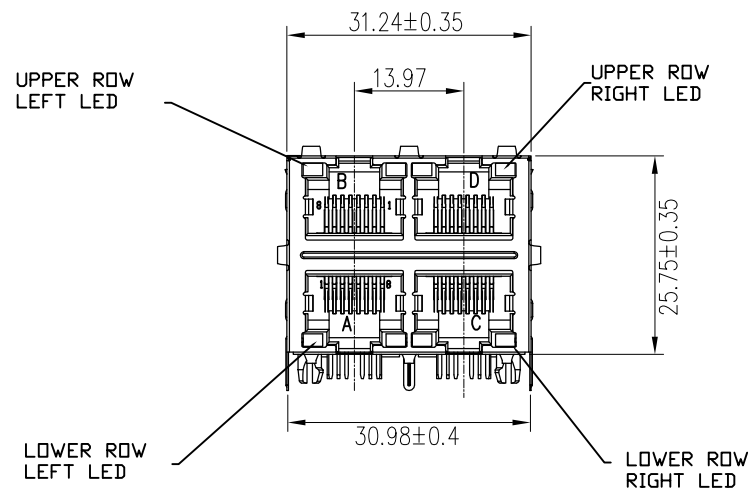
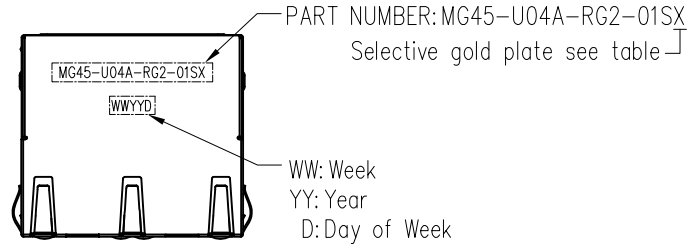


PROPRIETARY INFORMATION  
COMPANY CONFIDENTIAL

REV.	ECN. NO.	DESCRIPTION	ENG	DATE
A		RELEASE	Tony	01/07/15'



Notes:

- Materials:
  - Housing: Black Glass Glass Filled Thermoplastic (UL94 V-0)
  - Aligner: Black Glass Glass Filled Thermoplastic (UL94 V-0)
  - Insert: Black Glass Glass Filled Thermoplastic (UL94 V-0)
  - RJ contacts: Phosphor Bronze  
Finish: Selective gold plate see table
  - Shield: Stainless steel or Copper alloy Tin plated  
Finish: Ground pin Tin plated
  - LED: Epoxy resin  
Finish: Tin plated leads
- Tolerances comply with EIA-968 dimension requirements
- Wave solder compatible for 265°C for 10 seconds
- UL approval Per DUXR2 & DUXR8

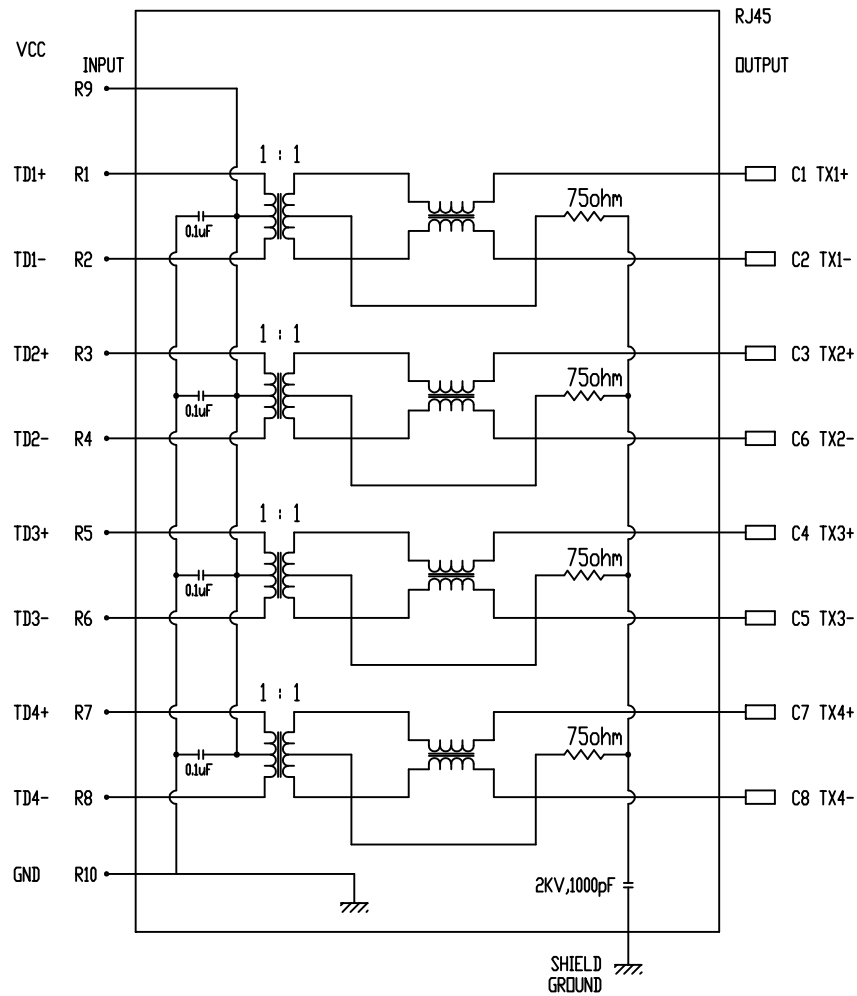


MG45-U04A-RG2-01S5	50 Micro Inches
MG45-U04A-RG2-01S4	30 Micro Inches
MG45-U04A-RG2-01S3	15 Micro Inches
MG45-U04A-RG2-01S2	6 Micro Inches
MG45-U04A-RG2-01S1	Flash
Part Number	RJ Contact Plating Thickness (Au)

GENERAL TOLERANCE X.± 0.50 .X± 0.38 .XX± 0.25 .XXX± 0.15	ANGLE TOLERANCE X"± 5.0° .X"± 3.0° .XX"± 2.0° .XXX"± 1.0°	DRAWN Tony	DATE 01/07/15'	 TITLE: RJ45 2x2 WITH LED's 10/100/1000 PART NUMBER: MG45-U04A-RG2-01SX DRAWING NO. GT23-700178 SIZE A4 REV. A
MATL SEE BOM	FINISH SEE BOM	CHECKED Dan	DATE 01/07/15'	
SCALE N/A	UNIT mm	APPROVED	DATE	
SHEET 1 of 3				

PROPRIETARY INFORMATION  
COMPANY CONFIDENTIAL

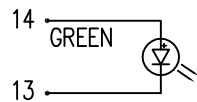
REV. A	ECN. NO.	DESCRIPTION RELEASE	ENG Tony	DATE 01/07/15'
-----------	----------	------------------------	-------------	-------------------



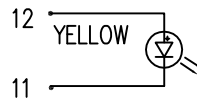
Notes:

Electrical Specifications @25°C

- Type: Balance low pass 100Ω impedance
- Turn Ratio (±2%):  
TX=1:1 RX =1:1
- Insertion loss:  
@1~ 100 MHz : -1.0dB Max
- Return Loss:  
@ 1 ~ 30 MHz : -18dB Min  
@ 30 ~ 60 MHz : -16dB Min  
@ 60 ~ 80 MHz : -12dB Min  
@ 80 ~ 100 MHz : -10dB Min
- Common Mode Rejection  
@ 1 ~ 100 MHz : -30dB Min.
- Cross talk  
@ 1 ~ 100 MHz : -30dB Min.
- Inductance 350μH Min.  
@100KHz,0.1V, 8mA DC BIAS.
- HiPot Test  
1500 VAC RMS, 60 sec or 2250VDC, 60 sec



LEFT LED



RIGHT LED

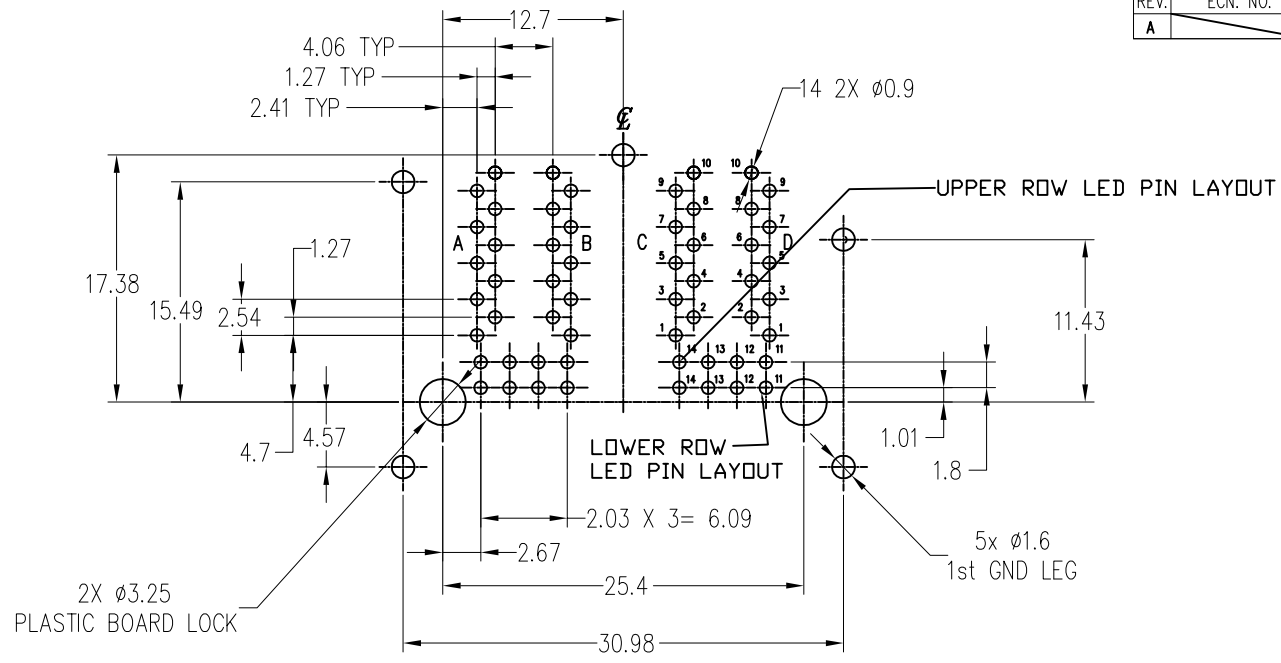
EMITTING COLOR	λp (nm)	Vf@If=20mA	Ir@Vr=5V
GREEN	572	1.7~2.6V	10uA MAX.
YELLOW	586	1.7~2.6V	10uA MAX.



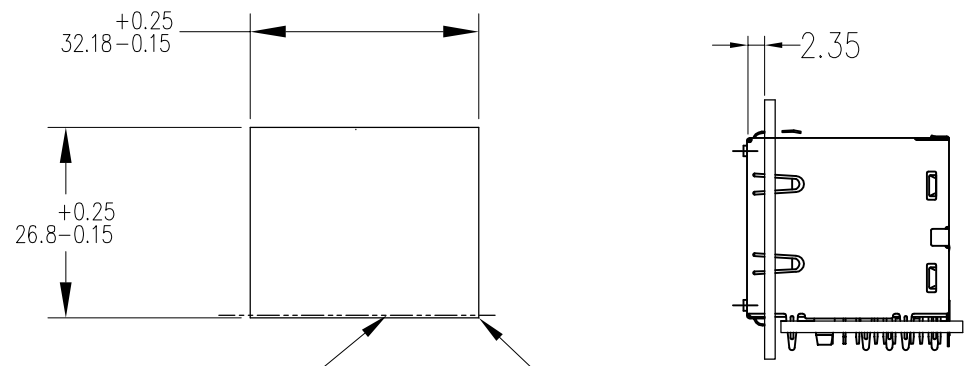
GENERAL TOLERANCE X.± 0.50 .X± 0.38 .XX± 0.25 .XXX± 0.15	ANGLE TOLERANCE X"± 5.0° .X"± 3.0° .XX"± 2.0° .XXX"± 1.0°	DRAWN Tony	DATE 01/07/15'	 TITLE: RJ45 2x2 WITH LED'S 10/100/1000 PART NUMBER: MG45-U04A-RG2-01SX
MATL SEE BOM	FINISH SEE BOM	CHECKED Dan	DATE 01/07/15'	
SCALE N/A	UNIT mm	APPROVED	DATE	DRAWING NO. GT23-700178
SHEET 2 OF 3				SIZE A4 REV. A

PROPRIETARY INFORMATION  
COMPANY CONFIDENTIAL

REV.	ECN. NO.	DESCRIPTION	ENG	DATE
A		RELEASE	Tony	01/07/15'



RECOMMENDED PCB LAYOUT  
Layout Tolerance = ± 0.05 mm  
PCB THICKNESS = 1.60mm  
Top View



0.38±0.1 from the top of the PCB to the bottom of panel opening

Suggest Panel Opening  
The suggest panel opening is intended to give the user the ability to have reasonable clearances between the Jack & Panel yet to maintain reliable ground cability



GENERAL TOLERANCE X.± 0.50 .X± 0.38 .XX± 0.25 .XXX± 0.15	ANGLE TOLERANCE X"± 5.0° .X"± 3.0° .XX"± 2.0° .XXX"± 1.0°	DRAWN <b>Tony</b>	DATE <b>01/07/15'</b>	 TITLE: RJ45 2x2 WITH LED'S 10/100/1000 PART NUMBER: MG45-U04A-RG2-01SX DRAWING NO. GT23-700178	SIZE A4
MATL SEE BOM	FINISH SEE BOM	CHECKED <b>Dan</b>	DATE <b>01/07/15'</b>		REV. A
SCALE N/A	UNIT mm	APPROVED	DATE		
SHEET 3 OF 3					