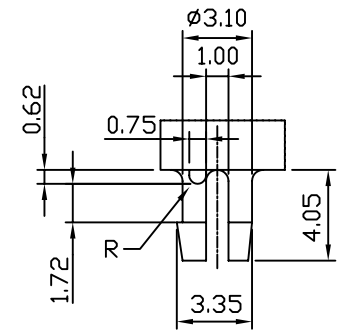
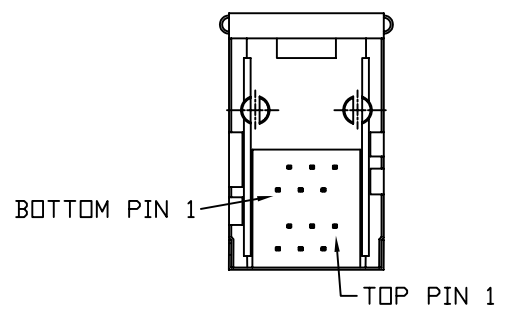


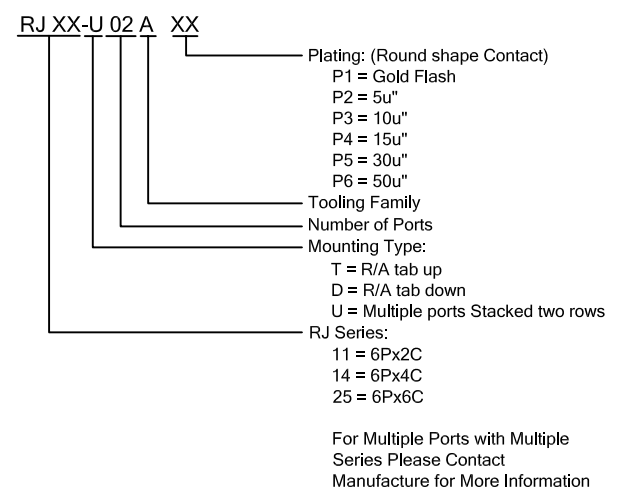
**Recommended PCB Layout**  
Tolerance: ±0.05mm



**DETAIL Y**

**MATERIAL:**  
 ◦ HOUSING—PBT POLYESTER UL-94V-0 MIXED GLASS FIBER. STANDARD COLOR—BLACK  
 ◦ CONTACTS—0.35mm THICK PHOS-BRONZE PLATED WITH HARD GOLD AND GOLD FLASH IN SOLDER AREA.  
 ◦ SHIELD—0.25mm THICK COPPER ALLOY, PLATED WITH NICKEL.  
 CAVITY CONFIRMS TO FCC RULES AND REGULATIONS PART 68,SUBPART F.

**Ordering Information:**



**NOTES:**  
1. RoHs Compliant.

TOLERANCE	
LINEAR	ANGLES
X. ±	X° ±0° 30
.X ± 0.25	.X° ±
.XX ± 0.13	.XX° ±
.XXX ± 0.02	.XXX° ±



**TITLE:** 2 X 16 POSITION RIGHT ANGLE SHIELDED PCB JACK  
**PART NO.** RJXX-U02AXX  
**DWG NO.** GTI09-30114

[A]	ISSUED	FOX	6/9/08'	.XX ± 0.13	.XX° ±	APPD:	MAT'L:	UNITS	SCALE	SHEET	REV
REV	ECN NO.	NAME	DATE	.XXX ± 0.02	.XXX° ±	CHKD:	FINISH:				
						DRWN: FOX	Q'TY:				