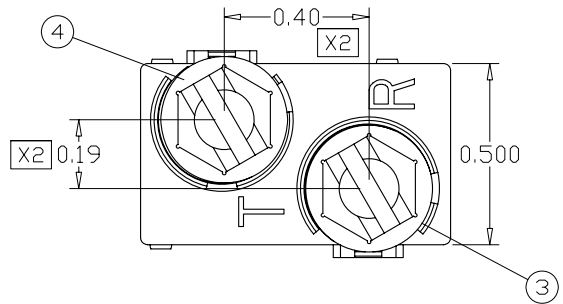
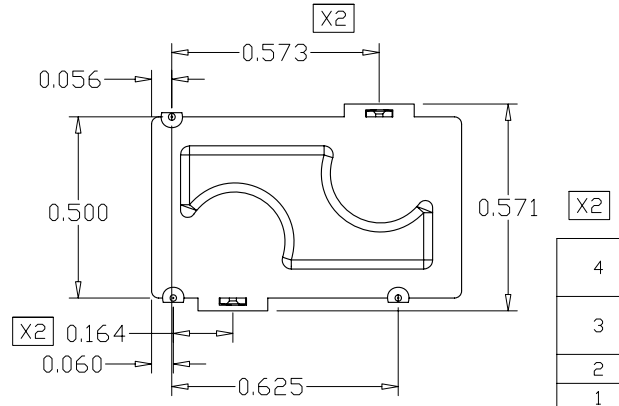
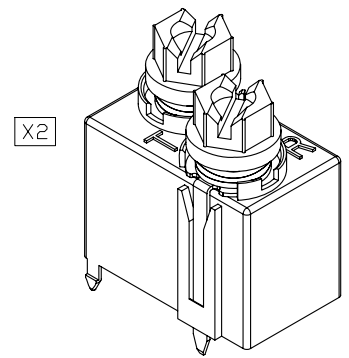
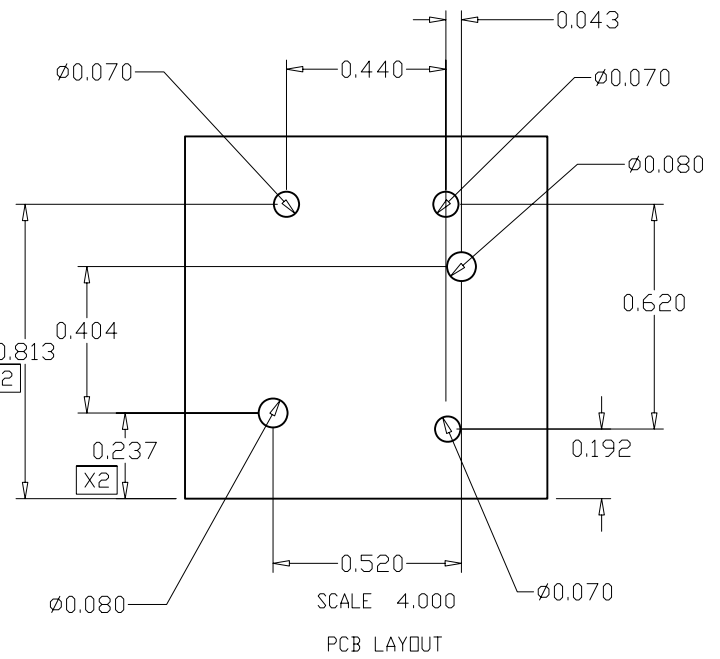
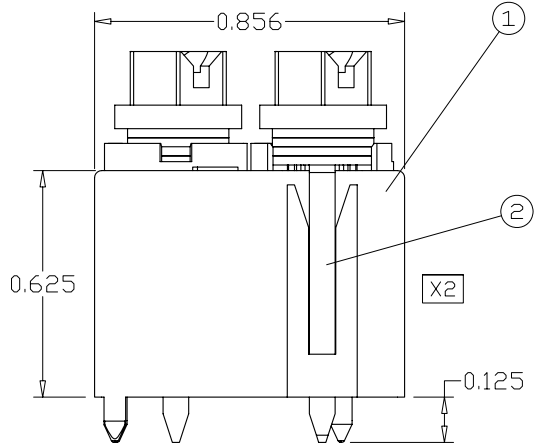
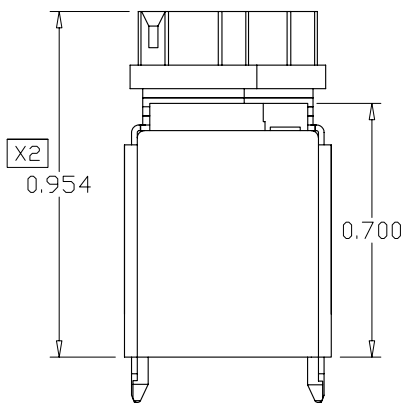


1 2 3 4 5 6 7 8



NOTES:
 1. ASSEMBLE COMPONENTS AS SHOWN
 2. INSTALL SCREWS UNTILL FLUSH WITH TOP SURFACE
 3. RoHS COMPLIANT



4	RED SCREW	1	SCREW: SUS; WASHER: BRASS; PLASTIC: ABS, RED COLOR	
3	GREEN SCREW	1	SCREW: SUS; WASHER: BRASS; PLASTIC: ABS, GREEN COLOR	
2	WASHER	2	BRASS, TIN 100u" PLATING	
1	HOUSING	1	PBT, 15%G/F, BLACK, 94V-0	
NO	BOM	Q'TY	MATERIAL	NOTES

TOLERANCE	
LINEAR	ANGLES
X ±	X° ±
.X ± 0.1	.X° ± 0.5
.XX ± 0.02	.XX° ± 0.5
.XXX ± 0.01	.XXX° ± 0.5

GENESIS TECHNOLOGY, INC.
 1015 GRANT STREET S.E.
 ATLANTA, GA 30315

APPD: _____ MAT'L: _____
 CHKD: _____ FINISH: _____
 DRAWN: R.HODGE Q'TY: _____

TITLE:		BLOCK, POTS PCB MOUNT			
PART NO.		GT109-30009			
DWG NO.		GT109-30009			
UNITS	SCALE	SHEET	REV		
	IN	NONE	1 OF 1	X2	
SCALE		4.000			

X2	MODIFY	VEGAS	03/27/09
X1	ISSUED	R.HODGE	01/21/09
REV	ECN NO.	NAME	DATE

1 2 3 4 5 6 7 8