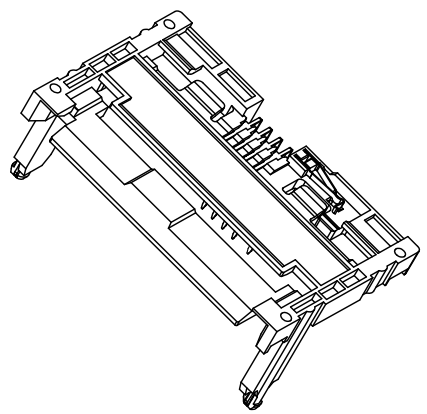
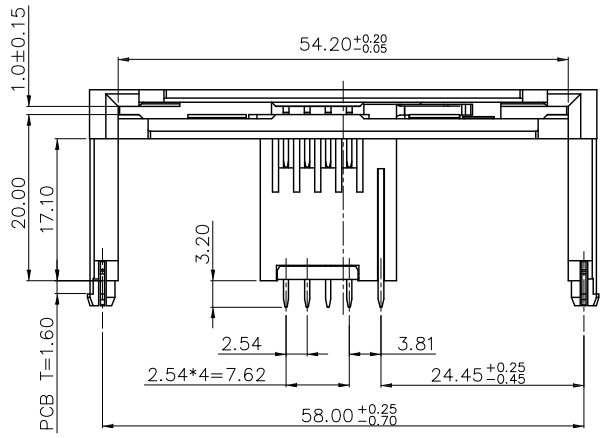
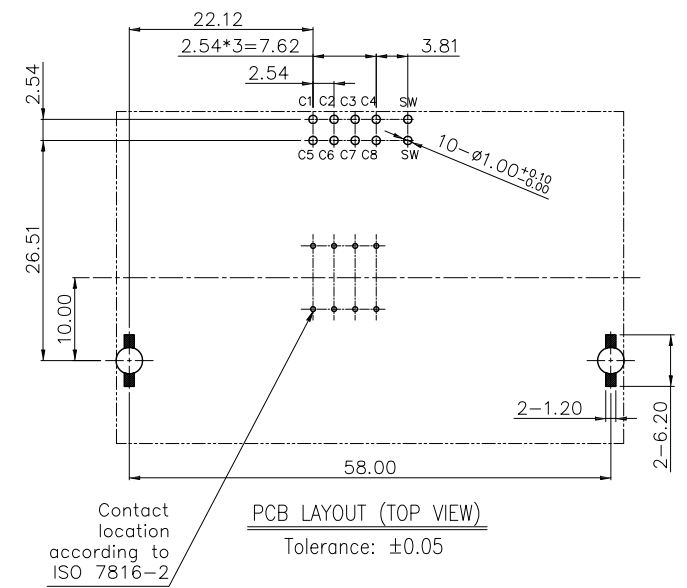
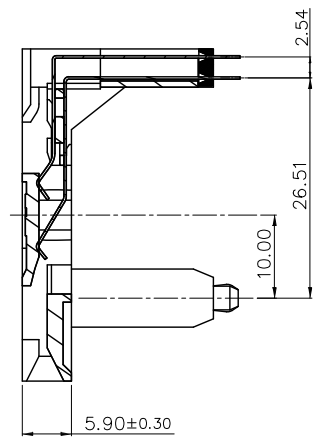
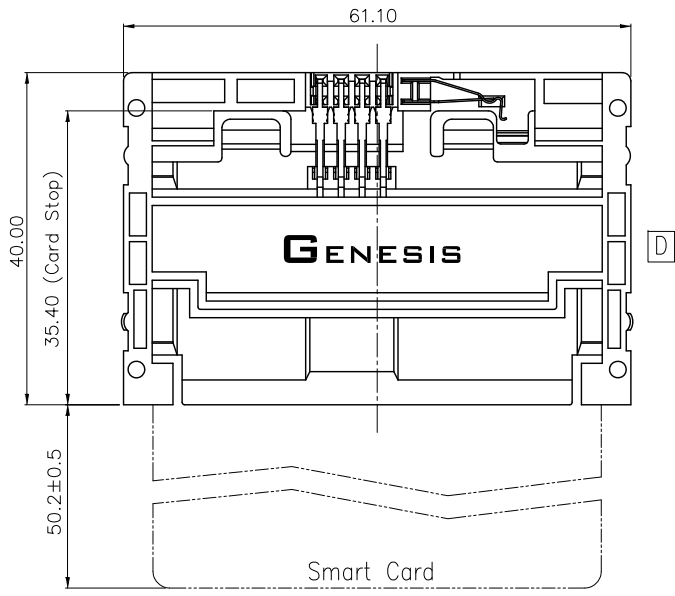


REV.	ECN. NO.	DESCRIPTION	ENG	DATE
A		INITIAL	Jesse	08/28/13'
B		Modified the gold standard	Xiangliang	09/05/13
C		Modified the DIM.	River	10/28/13
D		Newly added logo	Xiangliang	12/04/13



NOTES:
 Withstand Voltage: 500V AC/DC 1 minute
 Contact Resistance: 100mΩ max.
 Insulation Resistance: 1000MΩ min
 Insertion and Extraction Force: 3N~7N
 Durability: 500 cycles
 Switch Type: normal close
 RoHS compliant

ITEM	NAME	Q'TY	DESCRIPTION	MATERIAL	FINISH / COLOR	NOTE
3	Terminal	8		Phosphor Bronze	Contact area: 2u" Au Solder area: 70u" Tin Under plating: 40u" Nickel overall	
2	Switch	2		Phosphor Bronze		
1	Housing	1		PBT	Black	UL94V-0

GENERAL TOLERANCE	ANGLE TOLERANCE	DRAWN	DATE	
X.±	X°±	XiangLiang	12/04/13'	
.X± 0.38	.X°±	DESIGN	DATE	TITLE: Smart Card Connector Stand-off 17.1mm
.XX± 0.25	.XX°±	CHECKED	DATE	PART NUMBER: GT20-210101
.XXX± 0.15	.XXX°±	APPROVED	DATE	DRAWING NO. GT20-210101
MATL SEE BOM		SHEET 1 OF 1		SIZE A4 REV. D
FINISH SEE BOM				
SCALE N/A	UNIT mm			