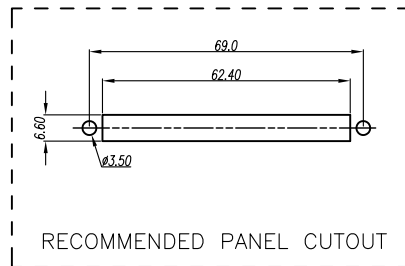
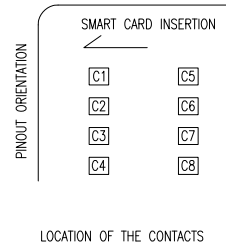
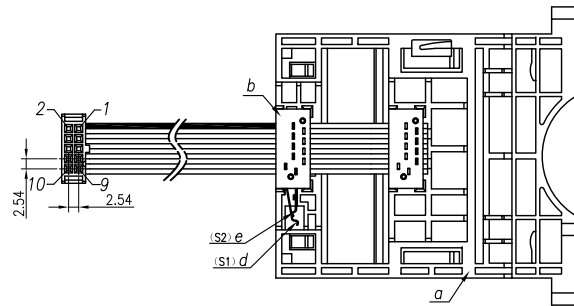
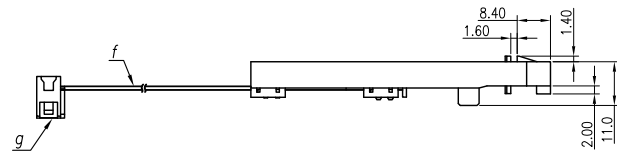
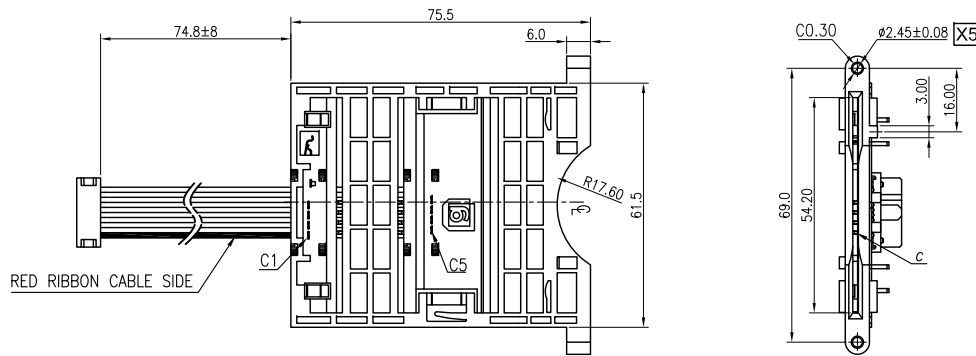


X3



g	IDC CONNECTOR	1	Housing&Cover: PBT UL94V-0, Color: Black Terminal: Brass, Plating: G/F Plating
f	FLAT CABLE 10P	1	PVC UL2651,28 AWG 10 CONDUCTOR PITCH=1.27mm GRAY
e	SWITCH CONTACT #1	1	Phosphor Bronze Selective Gold Flash Plating on Contact Area
d	SWITCH CONTACT #2	1	Phosphor Bronze Selective Gold Flash Plating on Contact Area
c	DATA CONTACT #3	8	Phosphor Bronze Selective Au 15u" Plating on Contact Area
b	COVER	2	PBT UL94V-0 (NO REGRIND) Black
a	HOUSING	1	PBT UL94V-0 (NO REGRIND) Black
NO.	PART NAME	Q'TY	MATERIAL PLATING & COLOR

REV.	ECN. NO.	DESCRIPTION	ENG	DATE
X1		INITIAL	Jeff	03/07/12'
X2		REVISED PLATING AND ADDED NOTES	Jeff	03/27/12'
X3		MODIFY DWG	Terry	04/17/12'
X4		MODIFY DWG	Terry	10/13/12'
X5		MODIFY DWG	Terry	10/26/12'

NOTES:

1. SWITCH CONTACTS: NORMAL CLOSED
2. SMART CARD IS DESIGNED TO ACCEPT ISO 7810-7816 TYPE INTEGRATED CIRCUIT SMART CARDS (0.76mm REF. THICKNESS)
3. OPERATING VOLTAGE AND CURRENT: 5.5V, 60mA MAX.
4. CONTACT RESISTANCE: 100mΩ MAX.
5. INSULATION RESISTANCE: 1000MΩ MIN.
6. OPERATING TEMPERATURE: -35°C TO +50°C
- X2 7. INSERTION FORCE: 2N ~ 15N
- X2 8. WITHDRAWAL FORCE: 2N ~ 15N
- X2 9. DURABILITY: 5000 CYCLES
10. RoHS 6/6 COMPLIANT

WIRING DIAGRAM	
CONTACT NUMBER	CONNECTOR PIN OUT
C1	1
C2	3
C3	5
C4	7
C5	2
C6	4
C7	6
C8	8
S1	9
S2	10

GENERAL TOLERANCE X.± 0.50 .X± 0.38 .XX± 0.25 .XXX±		ANGLE TOLERANCE X°± .X°± .XX°± .XXX°±		DRAWN Terry	DATE 04/17/12'	PRELIMINARY NOT RELEASED
MATERIAL SEE BOM		FINISH SEE NOTES		DESIGN	DATE	
SCALE N/A		UNIT mm		CHECKED	DATE	PART NUMBER. GT17-200138
SHEET 1 OF 1		APPROVED		DATE	DRAWING NO. GT17-200138	SIZE A1 REV. X5