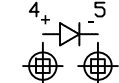
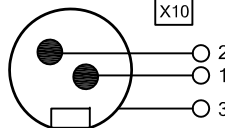


LED Polarity



Single color LED

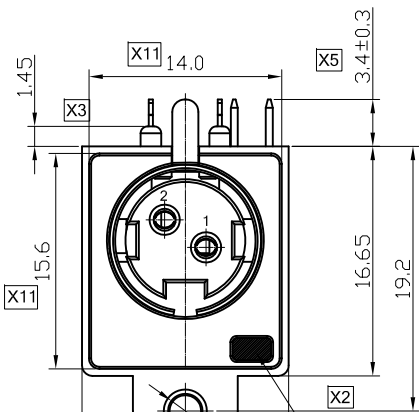


SCHEMATIC X5

LED Specification		
FORWARD V(MAX)	*(TYP)	WAVELENGTH
2.5V	1.9V	571±6.5nm

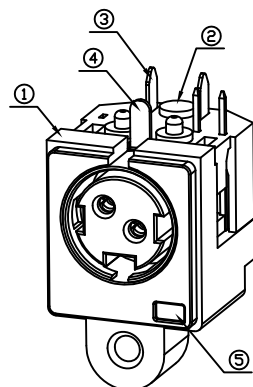
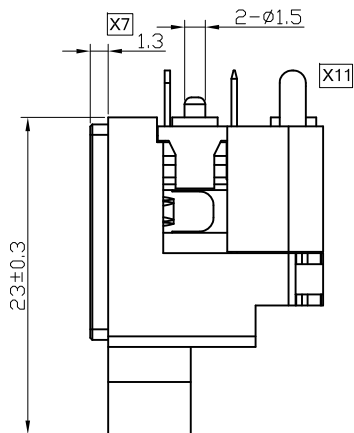
*With a forward current of 20mA(TYP)

REV.	ECN. NO.	DESCRIPTION	ENG	DATE
X1		ISSUED	Kevin	07/04/11'
X2		ADD SCREW BOSS AND MOVE LED PCB LAYOUT	AXL	7/12/11'
X3		REMOVE ONE PIN AND CHANGE TITLE TO 2PINS AND PCB LAYOUT	AXL	7/22/11'
X4		CHANGE GROUND THICKNESS ADD LOGO	Kevin	7/27/11'
X5		CHANGE LED PCB LAYOUT	AXL	7/28/11'
X6		CHANGE LED PCB LAYOUT	AXL	7/28/11'
X7		CHANGED ONE DIMENSION	Jeff	08/08/11'
X8		MODIFY SCREW HOLE AND ADD NOTES 8	Kevin	09/21/11'
X9		UPDATE LED PLATING	Kevin	09/28/11'
X10		ADD SCHEMATIC	AXL	10/19/11'
X11		ADD RECOMMENDED PANEL CUTOUT AND DIMENSIONS AND SOLDER TAIL SHAPE	AXL	2/1/12'
X12		ADD LED WAVELENGTH AND EDIT NOTES 7	AXL	8/28/13'
X13		ADD WAVE SOLDER CONDITION PEAK TEMPERATURE	Kevin	7/15/14'

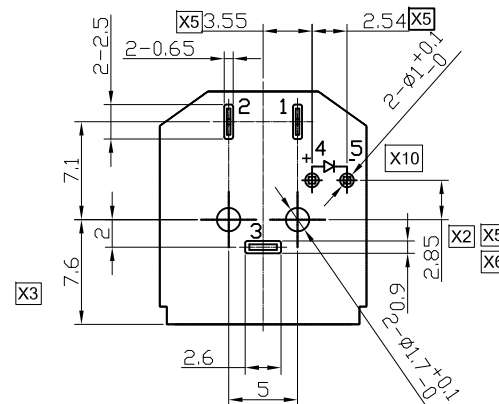


Green LED

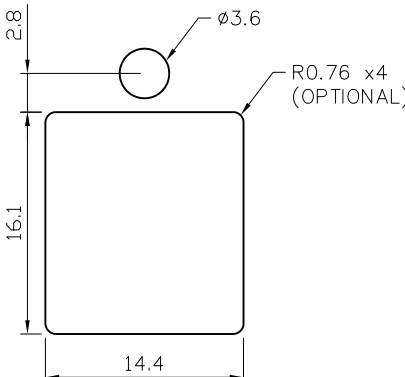
ø2.5 +0.2/-0.0 (Front)
REFER NOTE 6.



3D View



Recommended P.C.B Layout
Bottom View
P.C.B Tolerances:±0.05mm



X11 RECOMMENDED PANEL CUTOUT
TOLERANCE: ±0.127mm
(PANEL THICKNESS: 0.8mm)

NOTES:

- Rating: PIN 1&2:DC20V 7.5A Max.
- CONTACT RESISTANCE: 30mΩ Max.
- INSULATION RESISTANCE: DC250V 50MΩ Min.
- VOLTGE WITHSTANDING: AC250V 1Minute.
- INSERTION FORCE: 4.5kgf Max.
WITHDRAWAL FORCE: 1.0kgf Min.
- RELEASE ANGLE OF SCREW HOLE: 1°
- OPERATING TEMP: -25°C TO +85°C
- MOUNTING SCREW HOLE IS SIZED FOR PLASTITE NO.4 SCREW, MOUNTING TORQUE IS 40-51 N-cm.
- WAVE SOLDER CONDITION PEAK TEMPERATURE: 260°C

X9

X4 X8

5	LED	1		GREEN LIGHT COLOR	Ag 40u" plating
4	GROUND	1		BRASS, T= 0.40±0.08	Tin 100u" plating
3	PIN	2		PHOS. BRONZE, T=0.30±0.05	Tin 100u" plating
2	COVER	1		PBT+15%GF, UL94V-0	COLOR BLACK
1	BODY	1		PBT+15%GF, UL94V-0	COLOR BLACK

ITEM	NAME	Q'TY	DESCRIPTION	MATERIAL	FINISH / COLOR	NOTE
1						

GENERAL TOLERANCE	ANGLE TOLERANCE	DRAWN	DATE
X.± 0.30	X°±	Kevin	07/04/11'
.X± 0.25	.X°±	DESIGN	DATE
.XX± 0.20	.XX°±	CHECKED	DATE
.XXX±	.XXX°±	APPROVED	DATE

MATL	FINISH	SCALE	UNIT
SEE BOM	SEE NOTES	N/A	mm

PRELIMINARY NOT RELEASED	
genesis connected solutions	TITLE: X3 2 PINS POWER JACK W/ LED
PART NUMBER: GT14-200178	DRAWING NO. GT14-200178
SIZE A4	REV. X13