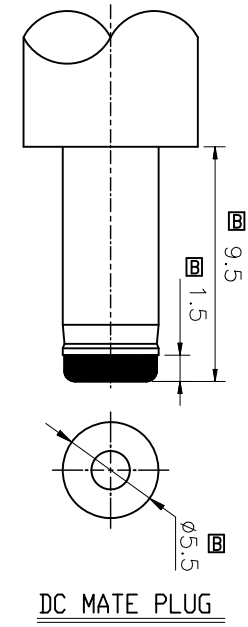
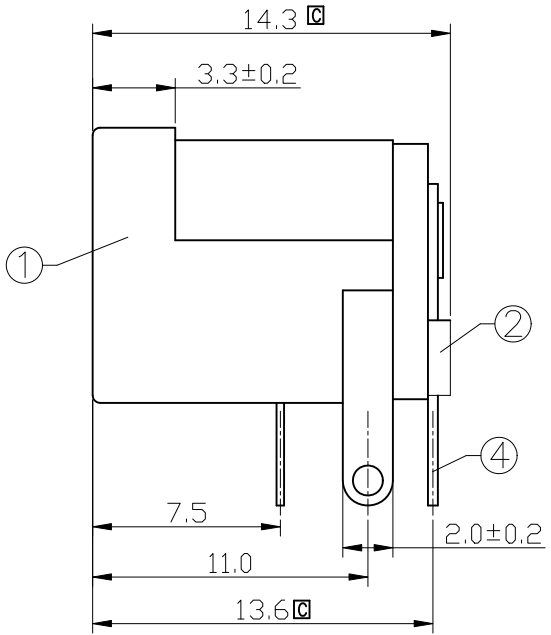
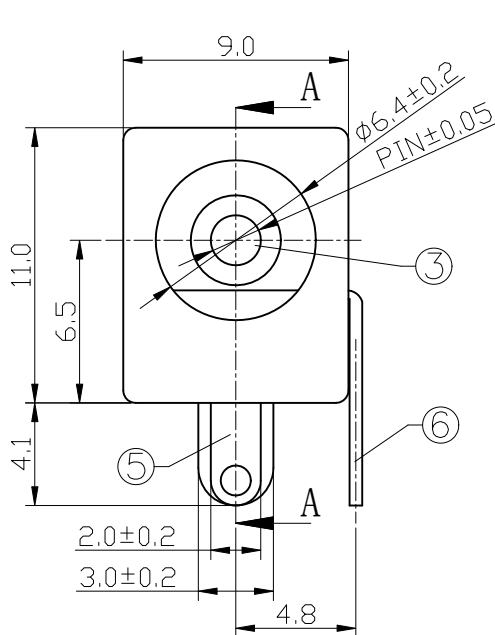


PROPRIETARY INFORMATION
COMPANY CONFIDENTIAL

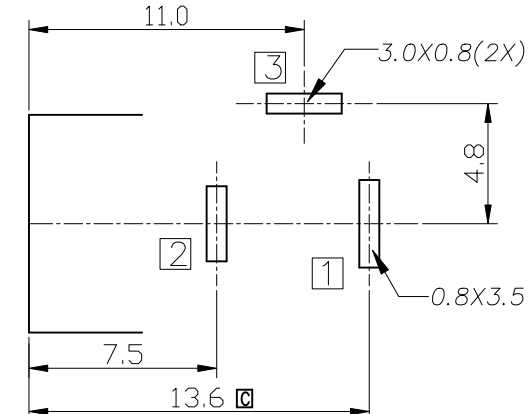
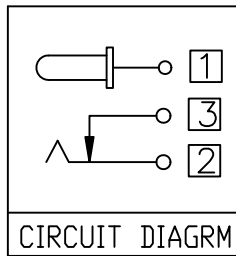
REV.	ECN. NO.	DESCRIPTION	ENG	DATE
A		INITIAL	Sun	1/14/2015
B		MODIFY DC PLUG DIMENSIONS	Sun	8/7/2015
C		MODIFY DIMENSIONS	Sun	8/10/2015



NOTES
 1.RATING: DC 20V 4A
 2.CONTACT RESISTANCE: 30 MILIOHMS MAX
 AFTER TEST: 50 MILIOHMS MAX
 3.INSULATION RESISTANCE: 100 MOHM MIN.(500V DC)
 AFTER TEST: 50 MOHM MIN
 4.WITHSTANDING VOLTAGE: 500V AC
 5.INSERTION AND EXTRACTION FORCE: 3N~30N MAX
 6.LIFE TEST: 5000 CYCLES MIN
 7.OPERATION TEMPERATURE RANGE: -20°C~70°C
 8.PRESERVATIVE TEMPERATURE RANGE: -40°C~85°C
 PART NUMBER:

DCJR-6X 03 - A K C 0 P
 ① ② ③ ④ ⑤ ⑥ ⑦

- 1.CONNECTOR:
 DC POWER JACK
 DCJR-61: PIN DIMETER=Ø2.0
 DCJR-62: PIN DIMETER=Ø2.35
 DCJR-63: PIN DIMETER=Ø2.5
- 2.POSITIONS:
 03: 3 POSITIONS
- 3.INSULATOR MATERIAL:
 A: PBT
- 4.INSULATOR COLOR:
 K: BLACK
- 5.CONTACT PLATING:
 C: TIN
- 6.SHIELD PLATING:
 0: NONE SHIELD
- 7.PACKING:
 P: PE BAG



RECOMMENDED P.C.B LAYOUT
 UNSPECIFIED TOLERANCE:±0.05
 (BOTTOM VIEW)

ITEM	NAME	Q'TY	DESCRIPTION	NOTE
6	SHUNT TERMINAL	1	BRASS,120u" TIN MINI PLATING OVER 40u" NICKEL MINI UNDERPLATING OVERALL	
5	TIP SPRING	1	PHOSPHOR BRONZE,120u" TIN MINI PLATING OVER 40u" NICKEL MINI UNDERPLATING OVERALL	
4	CENTER PIN TERMINAL	1	BRASS,120u" TIN MINI PLATING OVER 40u" NICKEL MINI UNDERPLATING OVERALL	
3	CENTER PIN	1	COPPER ALLOY, PLATING 40u" MINI NICKEL OVERALL	
2	COVER	1	PBT+15%GF,COLOR BLACK	UL94-V0
1	HOUSING	1	PBT+15%GF,COLOR BLACK	UL94-V0

GENERAL TOLERANCE	ANGLE TOLERANCE	DRAWN	DATE
□ .X±0.50	X°± 5.0°	Sun	8/10/15'
.XX±0.30	.X°± 3.0°	CHECKED	DATE
.XXX±0.20	.XX°± 2.0°	APPROVED	DATE
	.XXX°± 1.0°	River	8/10/15'

GENESIS TECHNOLOGY INC.	
TITLE	DC POWER JACK
PART NUMBER	DCJR-6X 03 - A K C 0 P
DRAWING NO.	GT26-210103
SIZE	A4
REV.	C