

PROPRIETARY INFORMATION
COMPANY CONFIDENTIAL

REV.	ECN. NO.	DESCRIPTION	ENG	DATE
A		INITIAL	Sun	10/16/2014
B		opening and center pin structure optimize	Sun	04/22/2015
C		The housing has been reduced by 1.2mm	Sun	2/01/2016
D		Center Pin added two barbs	Sun	03/17/2016

NOTE:

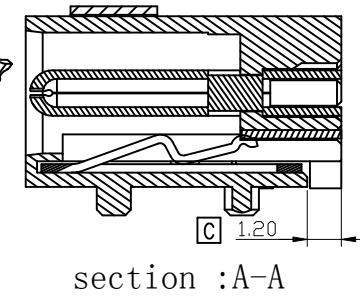
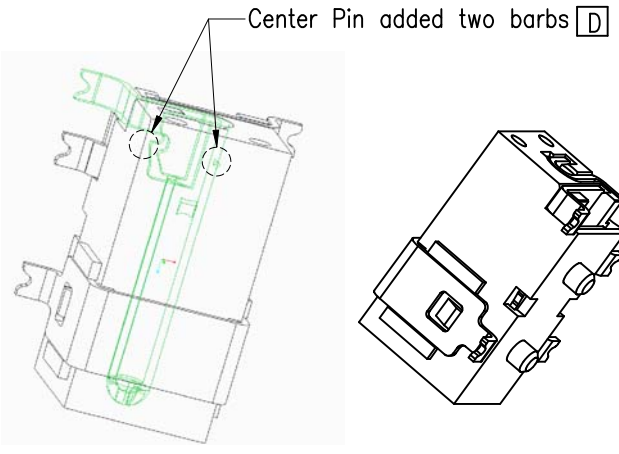
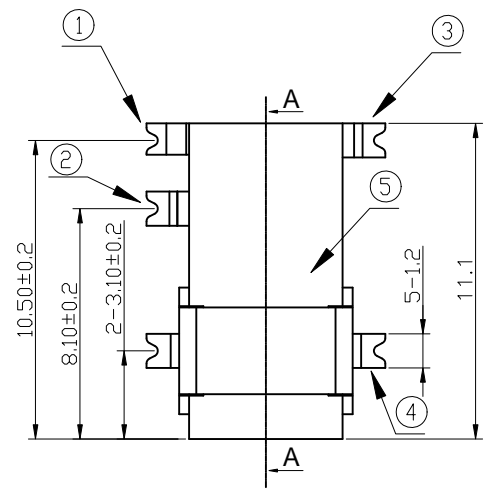
- VOLTAGE RATING: 3A DC12V
- CONTACT RESISTANCE: 30mΩ MAX.
- INSULATION RESISTANCE: 100MΩ MIN.
- WITHSTAND VOLTAGE: 500VAC
- DURABILITY: 5,000 CYCLES
- INSERTION FORCE : 0.3~3.0 KGF
- WITHDRAWAL FORCE : 0.3~3.0 KGF
- RoHS 6/6 COMPLIANT.

PART NUMBER:

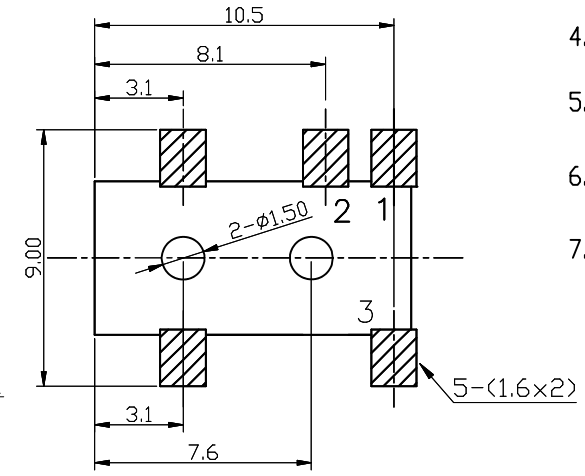
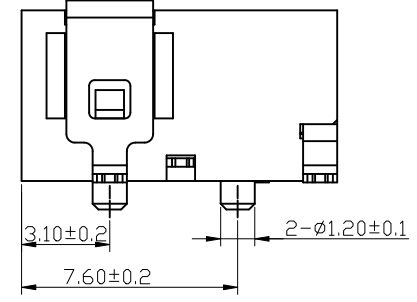
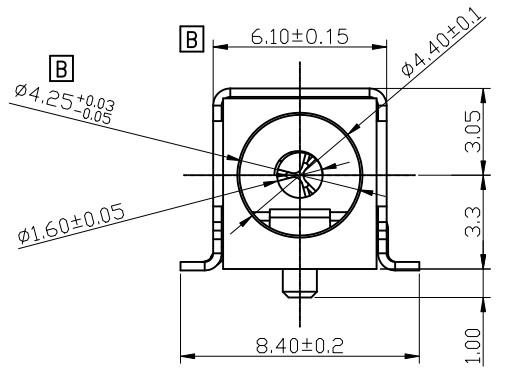
DCJR-2R 05-F K C 0 R

① ② ③ ④ ⑤ ⑥ ⑦

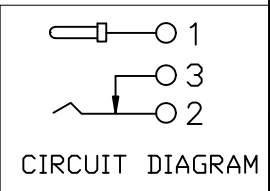
- CONNECTOR:
DCJR-2R:DC JACK,SMT TYPE
- POSITIONS:
05: PINS 05
- INSULATOR MATERIAL:
F: PA9T
- INSULATOR COLOR:
K: BLACK
- CONTACT PLATING:
C: Ag 10u"
- SHIELD PLATING:
0: NONE SHIELD
- PACKING:
R: TAPE&REEL



[D] 3D VIEW



PCB LAYOUT TOP VIEW



ITEM	NAME	Q'TY	DESCRIPTION	NOTE
5	HOUSING	1	PA9T+30%GF,COLOR BLACK	UL94-V0
4	TERMINAL 4	1	BRASS,PLATING Ag 10u"OVER 50u" NICKEL UNDER PLATING OVERALL	T=0.30mm
3	TERMINAL 3	1	BRASS,PLATING Ag 10u"OVER 50u" NICKEL UNDER PLATING OVERALL	T=0.30mm
2	TERMINAL 2	1	PHOSPHOR BRONZE,PLATING Ag 10u"OVER 50u" NICKEL UNDER PLATING OVERALL	T=0.30mm
1	TERMINAL 1	1	BRASS,PLATING Ag 10u"OVER 50u" NICKEL UNDER PLATING OVERALL	T=0.30mm

GENERAL TOLERANCE	ANGLE TOLERANCE	DRAWN	DATE
X.±0.50	X°± 5.0°	Sun	03/17/16'
.X±0.38	.X°± 3.0°	CHECKED	DATE
.XX±0.25	.XX°± 2.0°	APPROVED	DATE
.XXX±0.15	.XXX°± 1.0°	River	03/17/16'
MATL	SEE BOM	SCALE	N/A
FINISH	SEE NOTES	SHEET	1 OF 1
UNIT	mm		

TITLE	PART NUMBER	DRAWING NO.	SIZE
DC JACK,SMT TYPE	DCJR-2R05-FKCOR	GT23-210240	A4

GENESIS TECHNOLOGY, INC.