

REV.	ECN. NO.	DESCRIPTION	ENG	DATE
X1		INITIAL	AXL	11/8/2013
X2		CORRECT TYPO	Kevin	11/19/2013
X3		UPDATED BOM INFO.	Jeff	11/22/2013
X4		CHANGE DIM. OF 45W PLUG	AXL	11/26/2013
X5		EDITED DC PLUG ILLUSTRATION ADD BOM	AXL	12/11/2013
X6		CHANGE SWITCH 7.3 TO 6.3	SUN	01/19/2014

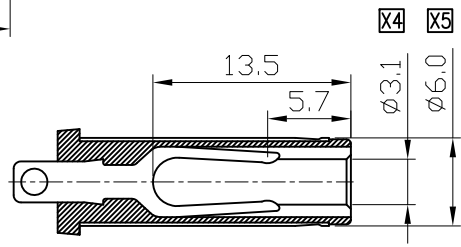
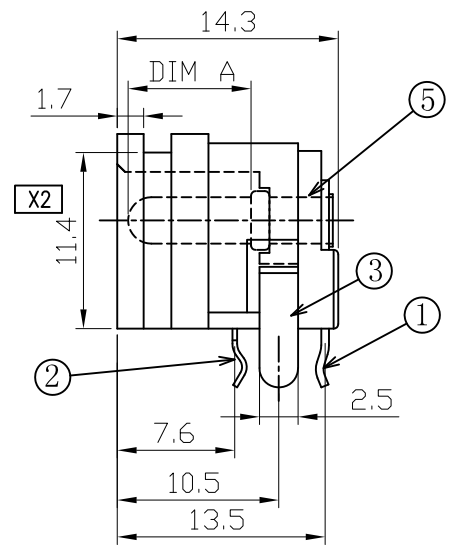
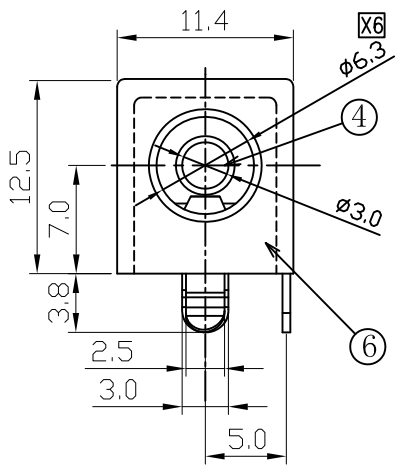
- Notes:
- Electrical:
    - Voltage Rating: 24V DC.
    - Current Rating: 8.5Amperes DC.
    - Insulation Resistance: 100M ohms min.
    - Dielectric Withstand Voltage: 500V AC/RMS 1 minute.
    - Contact Resistance: 30 m ohms max initial.

2. RoHS 6/6 Compliant.

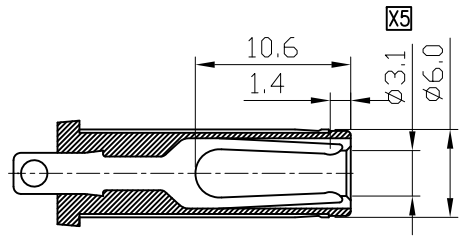
PART. NUMBER

DCJR-\*\* 01-A K B 0 T 3R  
 ① ② ③ ④ ⑤ ⑥ ⑦ ⑧

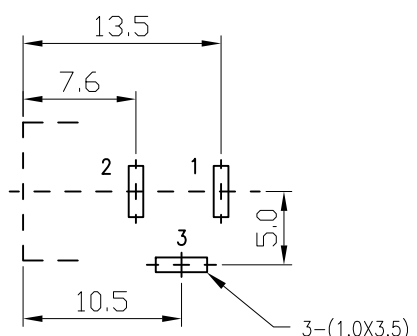
- CONNECTOR:  
DCJR: DC JACK
- TYPE  
1N: CENTER PIN OD 3.0mm, DIM A= 7.9mm  
1P: CENTER PIN OD 3.0mm, DIM A= 4.5mm
- POSITIONS  
01: 01 POSITION
- INSULATOR MATERIAL  
A: PBT
- INSULATOR COLOR  
K: BLACK
- CONTACT PLATING  
B: NICKEL PLATING
- SHIELD PLATING  
0: NONE SHIELD
- PACKING  
T: TRAY PACKING



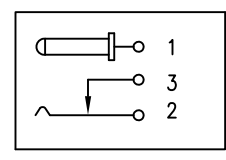
RECOMMENDED PLUG FOR 45W



RECOMMENDED PLUG FOR 60W



RECOMMENDED PCB LAYOUT  
TOLERANCE: ±0.05mm



CIRCUIT DIAGRAM

ITEM	NAME	Q'TY	DESCRIPTION	NOTE
6	BODY	1	PBT+20%G.F.	
5	COVER	1	PBT+20%G.F.	
4	CENTER PIN	1	BRASS	
3	SHUNT	1	BRASS	
2	GROUNDING CONTACT	1	PHOSPHOR BRONZE	
1	TERMINAL	1	BRASS	

GENERAL TOLERANCE	ANGLE TOLERANCE	DRAWN	DATE	
X, ±	X° ±	SUN	01/19/2014	
.X ± 0.40	.X° ±	DESIGN	DATE	TITLE: DC JACK 3.0mm
.XX ± 0.30	.XX° ±	CHECKED	DATE	PART NUMBER: DCJR-1X01-AKB0T3R
.XXX ± 0.20	.XXX° ±	APPROVED	DATE	DRAWING NO.: GT20-300274
MATL. SEE BOM	FINISH SEE NOTES	SCALE N/A	UNIT mm	SIZE A4 REV. X6
SHEET 1 OF 1				